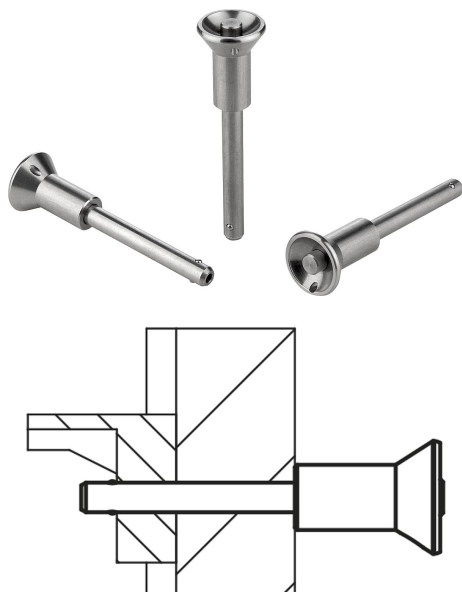


Ball lock pins with mushroom grip stainless steel

Item description/product images



Description

Material:

Mushroom knob and push button stainless steel 1.4305 (AISI 303 equivalent).

Pin stainless steel 1.4305 (AISI 303 equivalent).

Balls stainless steel 1.4125 (AISI 440C equivalent).

Compression spring stainless steel 1.4310 (AISI 301 equivalent).

Version:

Bright.

Note:

Ball lock pins are used for easy fastening or joining of components.

The two balls are disengaged by pressing the push button and the pin can be slipped into holes in the workpieces. When the push button is released, the balls lock the connection securely.

Shear force double shear (F) = $S \cdot \tau$ aB max.

The values given for the shear force are the theoretical breaking load.

These are non-binding reference values without consideration of safety factors and exclude any liability. The values given are for information purposes only and do not constitute a legally binding assurance of properties.

The load values have been calculated in accordance with DIN 50141. Each user must determine individually whether the ball lock pin is suitable for the respective application.

Different materials in which the ball lock pins are used, weather conditions and wear can influence the determined values.

Accessory:

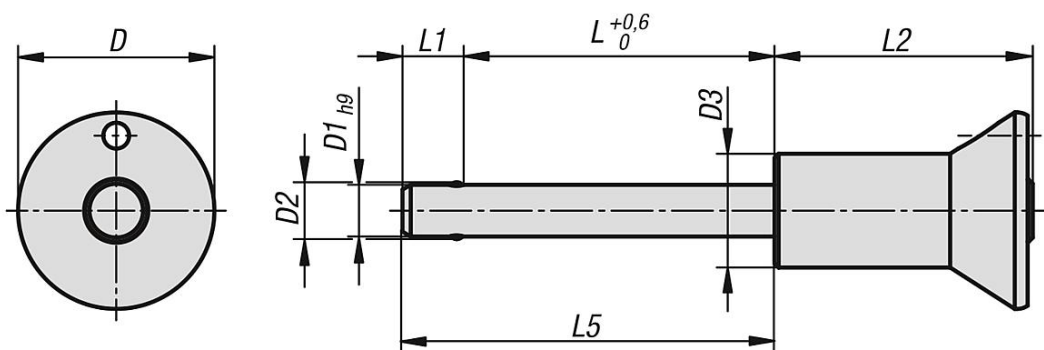
Bushings for ball lock pins K0724

Safety spiral cable K0367

Retaining cable with loop K0367

Key ring K0367

Drawings



Ball lock pins with mushroom grip stainless steel

Ball lock pins with mushroom grip, stainless steel

Order No.	D	D1	D2	D3	L	L1	L2	L5	Receiving hole H11	Shearing force double shear max.kN
K0791.01905010	19	5	5,5	11	10	5,9	25	15,9	5	15
K0791.01905015	19	5	5,5	11	15	5,9	25	20,9	5	15
K0791.01905020	19	5	5,5	11	20	5,9	25	25,9	5	15
K0791.01905025	19	5	5,5	11	25	5,9	25	30,9	5	15
K0791.01905030	19	5	5,5	11	30	5,9	25	35,9	5	15
K0791.01906010	19	6	6,85	11	10	6,8	25	16,8	6	22
K0791.01906015	19	6	6,85	11	15	6,8	25	21,8	6	22
K0791.01906020	19	6	6,85	11	20	6,8	25	26,8	6	22
K0791.01906025	19	6	6,85	11	25	6,8	25	31,8	6	22
K0791.01906030	19	6	6,85	11	30	6,8	25	36,8	6	22
K0791.01906035	19	6	6,85	11	35	6,8	25	41,8	6	22
K0791.01906040	19	6	6,85	11	40	6,8	25	46,8	6	22
K0791.01906045	19	6	6,85	11	45	6,8	25	51,8	6	22
K0791.01906050	19	6	6,85	11	50	6,8	25	56,8	6	22
K0791.02508020	25	8	9,5	14	20	7,8	33	27,8	8	38
K0791.02508025	25	8	9,5	14	25	7,8	33	32,8	8	38
K0791.02508030	25	8	9,5	14	30	7,8	33	37,8	8	38
K0791.02508035	25	8	9,5	14	35	7,8	33	42,8	8	38
K0791.02508040	25	8	9,5	14	40	7,8	33	47,8	8	38
K0791.02508045	25	8	9,5	14	45	7,8	33	52,8	8	38
K0791.02508050	25	8	9,5	14	50	7,8	33	57,8	8	38
K0791.02510020	25	10	12	14	20	8,9	33	28,9	10	60
K0791.02510025	25	10	12	14	25	8,9	33	33,9	10	60
K0791.02510030	25	10	12	14	30	8,9	33	38,9	10	60
K0791.02510035	25	10	12	14	35	8,9	33	43,9	10	60
K0791.02510040	25	10	12	14	40	8,9	33	48,9	10	60
K0791.02510045	25	10	12	14	45	8,9	33	53,9	10	60
K0791.02510050	25	10	12	14	50	8,9	33	58,9	10	60
K0791.02510060	25	10	12	14	60	8,9	33	68,9	10	60
K0791.03512025	35	12	14,5	22	25	9,9	39,5	34,9	12	86
K0791.03512030	35	12	14,5	22	30	9,9	39,5	39,9	12	86
K0791.03512035	35	12	14,5	22	35	9,9	39,5	44,9	12	86
K0791.03512040	35	12	14,5	22	40	9,9	39,5	49,9	12	86
K0791.03512045	35	12	14,5	22	45	9,9	39,5	54,9	12	86
K0791.03512050	35	12	14,5	22	50	9,9	39,5	59,9	12	86
K0791.03512060	35	12	14,5	22	60	9,9	39,5	69,9	12	86
K0791.03512070	35	12	14,5	22	70	9,9	39,5	79,9	12	86
K0791.03512080	35	12	14,5	22	80	9,9	39,5	89,9	12	86
K0791.03516030	35	16	19	22	30	13,1	39,5	43,1	16	153
K0791.03516035	35	16	19	22	35	13,1	39,5	48,1	16	153
K0791.03516040	35	16	19	22	40	13,1	39,5	53,1	16	153
K0791.03516045	35	16	19	22	45	13,1	39,5	58,1	16	153
K0791.03516050	35	16	19	22	50	13,1	39,5	63,1	16	153
K0791.03516060	35	16	19	22	60	13,1	39,5	73,1	16	153
K0791.03516070	35	16	19	22	70	13,1	39,5	83,1	16	153
K0791.03516080	35	16	19	22	80	13,1	39,5	93,1	16	153