

# Fixture feet with external thread

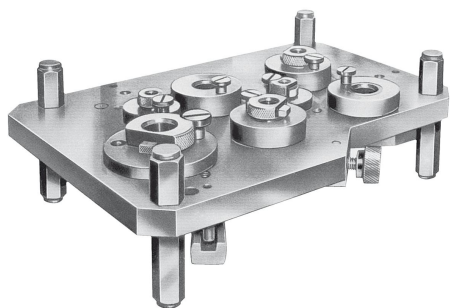
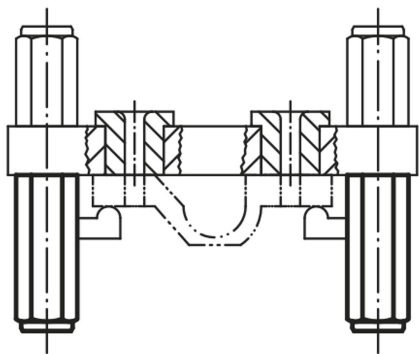
## Item description/product images



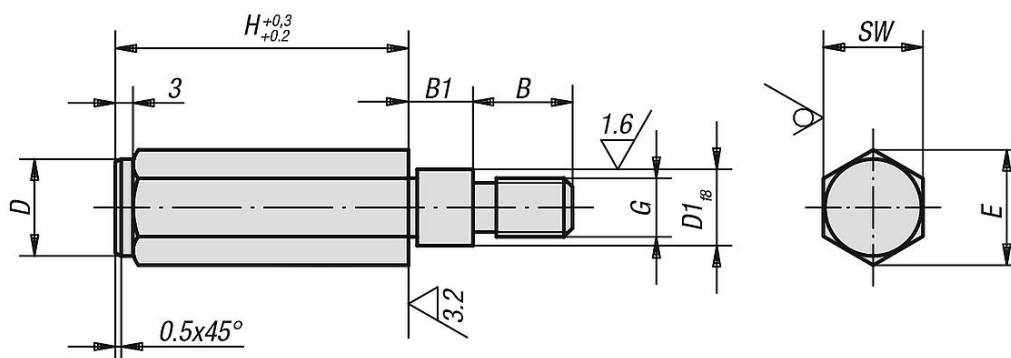
### Description

**Material:**  
Carbon steel 1.1181.

**Version:**  
Black oxidized.



## Drawings



## Fixture feet with external thread

Order No.	B	B1	D	D1	G	H	E	SW
K0300.10X50	17	11	16,5	11	M10	50	19,5	17
K0300.10X75	17	11	16,5	11	M10	75	19,5	17
K0300.10X100	17	11	16,5	11	M10	100	19,5	17
K0300.12X50	17	18	18,5	13	M12	50	21,5	19
K0300.12X75	17	18	18,5	13	M12	75	21,5	19
K0300.12X100	17	18	18,5	13	M12	100	21,5	19

**Fixture feet with external thread**

---

Order No.	B	B1	D	D1	G	H	E	SW
K0300.12X125	17	18	18,5	13	M12	125	21,5	19