

Rest Pad

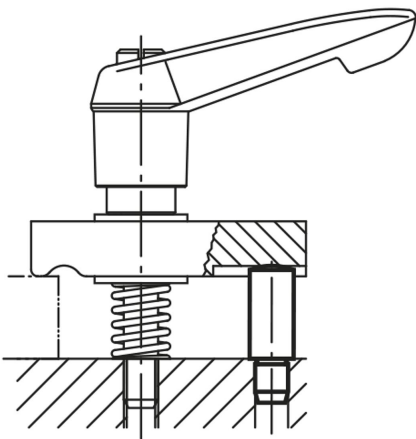
Item description/product images



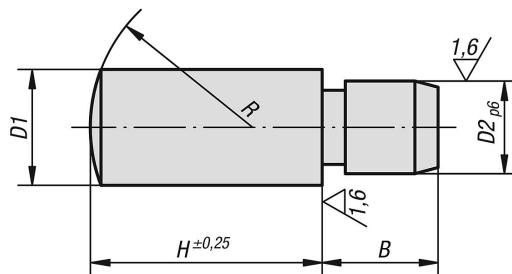
Description

Material:
Steel 1.0301.

Version:
Case-hardened, black oxidized and ground.



Drawings



Rest pads

Order No.	H	B	D1	D2	R
K0305.05X8	8	5	5	4	7
K0305.05X10	10	5	5	4	7
K0305.05X12	12	5	5	4	7
K0305.05X16	16	5	5	4	7
K0305.06X10	10	6	6	5	8
K0305.06X12	12	6	6	5	8
K0305.06X16	16	6	6	5	8
K0305.06X20	20	6	6	5	8
K0305.08X12	12	8	8	6	11
K0305.08X16	16	8	8	6	11
K0305.08X20	20	8	8	6	11
K0305.08X25	25	8	8	6	11
K0305.10X16	16	10	10	8	14
K0305.10X20	20	10	10	8	14



Order No.	H	B	D1	D2	R
K0305.10X25	25	10	10	8	14
K0305.10X32	32	10	10	8	14
K0305.12X20	20	12	12	10	16
K0305.12X25	25	12	12	10	16
K0305.12X32	32	12	12	10	16
K0305.12X40	40	12	12	10	16
K0305.14X20	20	14	14	12	20
K0305.14X25	25	14	14	12	20
K0305.14X32	32	14	14	12	20
K0305.14X40	40	14	14	12	20
K0305.16X25	25	16	16	14	25
K0305.16X32	32	16	16	14	25
K0305.16X40	40	16	16	14	25
K0305.16X50	50	16	16	14	25
K0305.20X25	25	20	20	16	28
K0305.20X32	32	20	20	16	28
K0305.20X40	40	20	20	16	28
K0305.20X50	50	20	20	16	28