

Levelling sets spherical washer with locknut

Item description/product images



Description

Version:

Standard version trivalent blue passivated.

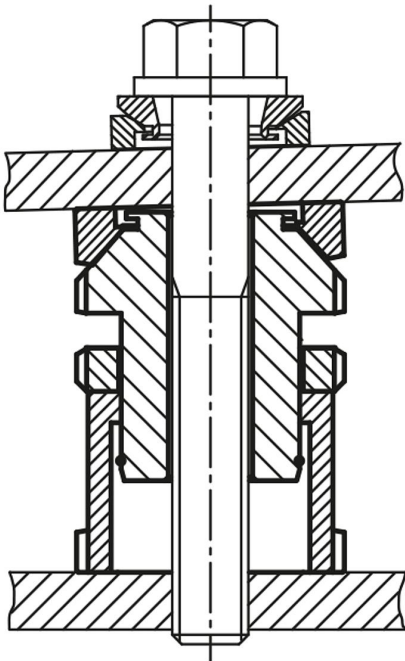
Stainless steel version bright.

Note:

The spherical washer levelling set with locknut is used to mount and align motors, aggregates, drive units and production lines. The spherical washer permits exact alignment when mounting on sloping surfaces of up to 4°. The locknut secures a prescribed setting.

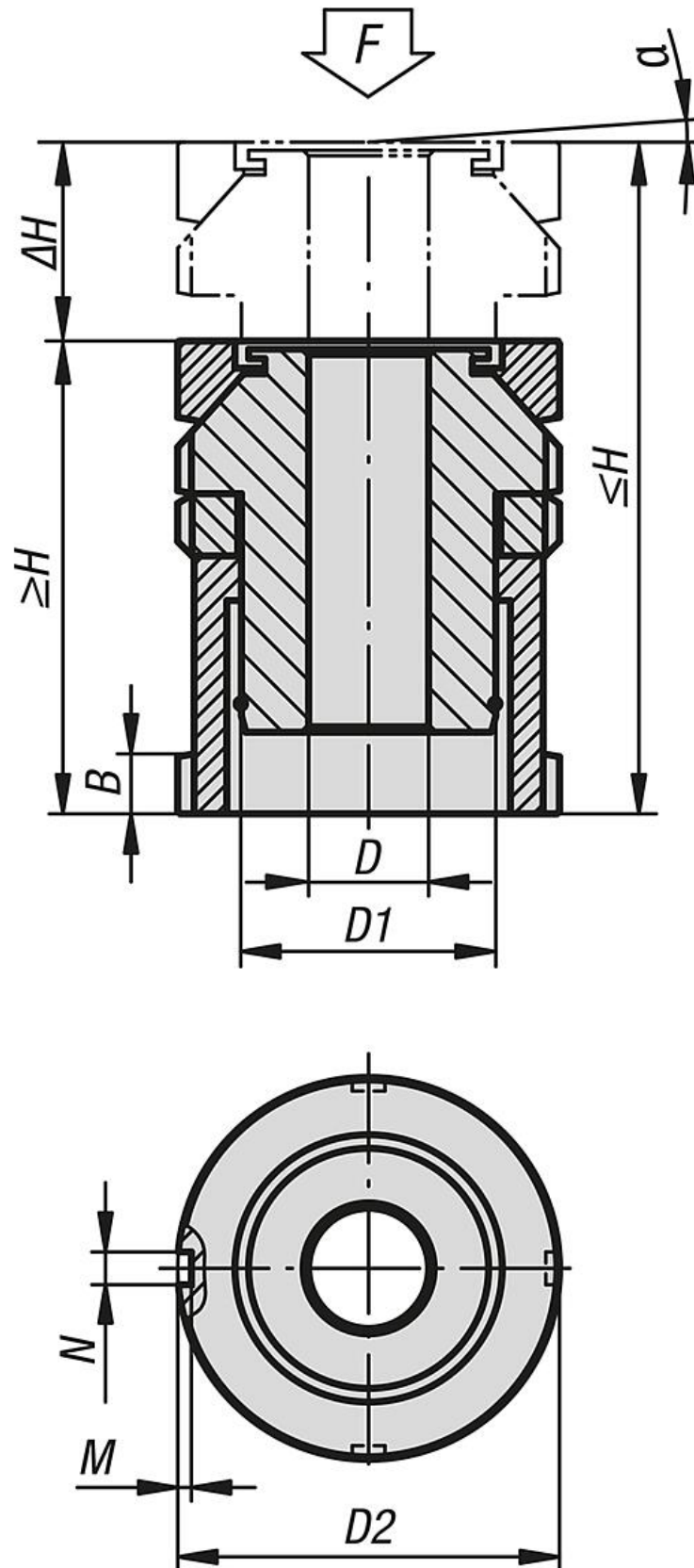
They are characterized by their wide adjustment range of 10 mm to 39 mm.

The static additional load F_1 is effective after deducting the tensioning force (screw 8.8, $\mu = 0.125$) from the total load F .



Levelling sets spherical washer with locknut

Drawings



Levelling sets spherical washer with locknut

Levelling sets spherical washer with locknut

Order No.	Main material	D	for screw	D1	D2	H min.	H max.	ΔH	N	M	α	F kN	F1 kN
K0119.1006	carbon steel	6,6	M6	M15x1	25	40	50	10	4	2	4°	40	36
K0119.1406	carbon steel	6,6	M6	M20x1	32	49	63	14	4	2	4°	65	55,7
K0119.1408	carbon steel	9	M8	M20x1	32	49	63	14	4	2	4°	65	48
K0119.1410	carbon steel	11	M10	M20x1	32	49	63	14	4	2	4°	65	37,9
K0119.1810	carbon steel	11	M10	M30x1,5	45	61	79	18	5	2	4°	120	92,9
K0119.1812	carbon steel	13,5	M12	M30x1,5	45	61	79	18	5	2	4°	120	80,4
K0119.1816	carbon steel	17,5	M16	M30x1,5	45	61	79	18	5	2	4°	120	45,5
K0119.2316	carbon steel	17,5	M16	M40x1,5	58	79	102	23	6	2,5	4°	210	136
K0119.2320	carbon steel	22	M20	M40x1,5	58	79	102	23	6	2,5	4°	210	90
K0119.2324	carbon steel	26	M24	M40x1,5	58	79	102	23	6	2,5	4°	210	37
K0119.2920	carbon steel	22	M20	M50x1,5	70	94	123	29	6	2,5	4°	330	210
K0119.2924	carbon steel	26	M24	M50x1,5	70	94	123	29	6	2,5	4°	330	157
K0119.2930	carbon steel	33	M30	M50x1,5	70	94	123	29	6	2,5	4°	330	53
K0119.3924	carbon steel	26	M24	M60x2	80	105	144	39	7	3	4°	495	322
K0119.3930	carbon steel	33	M30	M60x2	80	105	144	39	7	3	4°	495	218
K0119.10061	stainless steel	6,6	M6	M15x1	25	40	50	10	4	2	4°	27,1	24,14
K0119.14061	stainless steel	6,6	M6	M20x1	32	49	63	14	4	2	4°	43,4	36,56
K0119.14081	stainless steel	9	M8	M20x1	32	49	63	14	4	2	4°	43,4	30,86
K0119.14101	stainless steel	11	M10	M20x1	32	49	63	14	4	2	4°	43,4	23,41
K0119.18101	stainless steel	11	M10	M30x1,5	45	61	79	18	5	2	4°	84	64,01
K0119.18121	stainless steel	13,5	M12	M30x1,5	45	61	79	18	5	2	4°	84	54,82
K0119.18161	stainless steel	17,5	M16	M30x1,5	45	61	79	18	5	2	4°	84	28,9
K0119.23161	stainless steel	17,5	M16	M40x1,5	58	79	102	23	6	2,5	4°	148	92,9
K0119.23201	stainless steel	22	M20	M40x1,5	58	79	102	23	6	2,5	4°	148	59,08
K0119.23241	stainless steel	26	M24	M40x1,5	58	79	102	23	6	2,5	4°	148	20,3
K0119.29201	stainless steel	22	M20	M50x1,5	70	94	123	29	6	2,5	4°	225	136,08
K0119.29241	stainless steel	26	M24	M50x1,5	70	94	123	29	6	2,5	4°	225	97,3
K0119.29301	stainless steel	33	M30	M50x1,5	70	94	123	29	6	2,5	4°	225	20,6
K0119.39241	stainless steel	26	M24	M60x2	80	105	144	39	7	3	4°	323	195,3
K0119.39301	stainless steel	33	M30	M60x2	80	105	144	39	7	3	4°	323	118,6