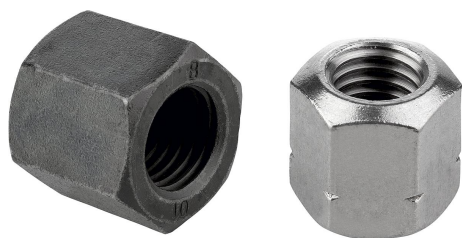


## Hexagon nuts height 1.5xD, DIN 6330 enhanced

### Item description/product images



### Description

#### Material:

Carbon steel or stainless steel A2.

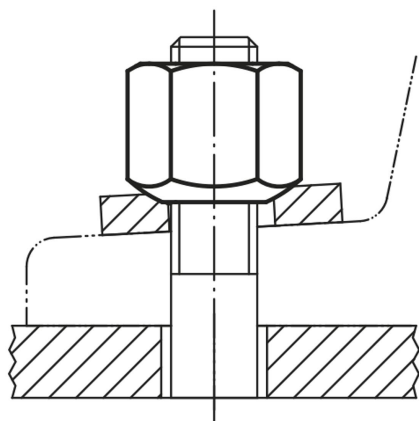
#### Version:

Steel grade 10, bright (blackened).

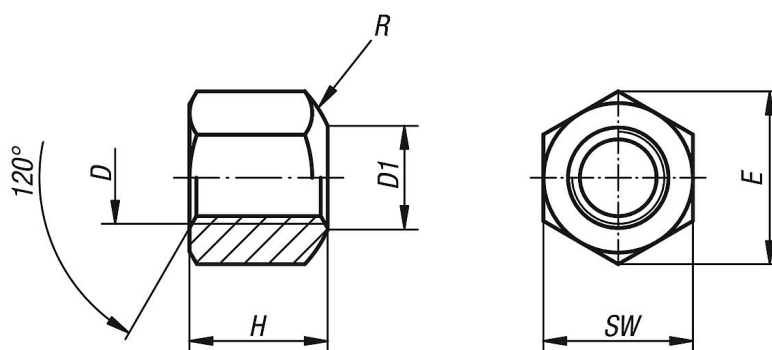
Stainless steel A2-70, bright

#### Note:

These hexagon nuts can be used with the conical seats K0729, style D and G.



### Drawings



### Hexagon nuts height 1.5xD, DIN 6330 enhanced

Item No.	Main material	D	H = 1,5 x D	D1	SW	E	R
K0702.05	carbon steel	M5	7,5	6,5	9	10,4	7
K0702.06	carbon steel	M6	9	7	10	11,5	9
K0702.08	carbon steel	M8	12	9	13	15	11
K0702.10	carbon steel	M10	15	11,5	16	18,4	15
K0702.101	carbon steel	M10	15	11,5	17	19,6	15
K0702.12	carbon steel	M12	18	14	18	20,7	17
K0702.121	carbon steel	M12	18	14	19	21,9	17
K0702.14	carbon steel	M14	21	16	22	25,4	20
K0702.16	carbon steel	M16	24	18	24	27,7	22
K0702.18	carbon steel	M18	27	20	27	31,2	24,5
K0702.20	carbon steel	M20	30	22	30	34,6	27
K0702.22	carbon steel	M22	33	24	32	36,9	29
K0702.24	carbon steel	M24	36	26	36	41,6	32

## Hexagon nuts height 1.5xD, DIN 6330 enhanced

Item No.	Main material	D	H = 1,5 x D	D1	SW	E	R
<b>K0702.30</b>	carbon steel	M30	45	32	46	53,1	41
<b>K0702.36</b>	carbon steel	M36	54	38	55	63,5	50
<b>K0702.806</b>	stainless steel A2	M6	9	7	10	11,5	9
<b>K0702.808</b>	stainless steel A2	M8	12	9	13	15	11
<b>K0702.810</b>	stainless steel A2	M10	15	11,5	16	18,4	15
<b>K0702.811</b>	stainless steel A2	M10	15	11,5	17	19,6	15
<b>K0702.812</b>	stainless steel A2	M12	18	14	18	20,7	17
<b>K0702.816</b>	stainless steel A2	M16	24	18	24	27,7	22
<b>K0702.820</b>	stainless steel A2	M20	30	22	30	34,6	27