

## Hexagon nuts with spherical seat

### Item description/product images



### Description

**Material:**

Carbon steel or stainless steel A2.

**Version:**

Steel version:

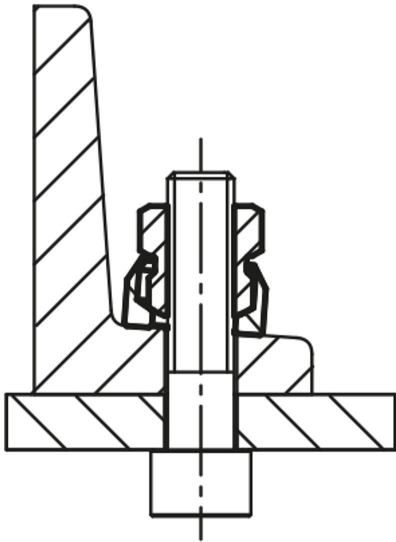
tempered to 900 N/mm<sup>2</sup>, black oxidized.

Stainless steel version:

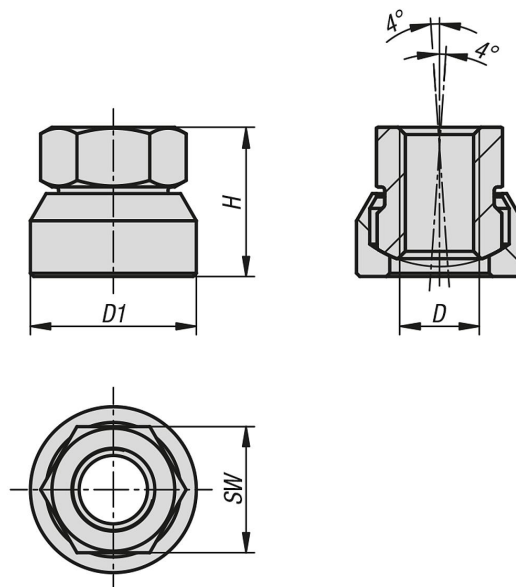
tempered to 900 N/mm<sup>2</sup>, bright.

**Note:**

Captive components (one-piece).



### Drawings



**Hexagon nuts with spherical seat**

| Item No.         | Main material      | D   | D1 | H    | SW |
|------------------|--------------------|-----|----|------|----|
| <b>K0794.08</b>  | steel              | M8  | 18 | 15   | 13 |
| <b>K0794.10</b>  | steel              | M10 | 22 | 18,5 | 17 |
| <b>K0794.12</b>  | steel              | M12 | 25 | 22,5 | 19 |
| <b>K0794.16</b>  | steel              | M16 | 31 | 29   | 24 |
| <b>K0794.808</b> | stainless steel A2 | M8  | 18 | 15   | 13 |
| <b>K0794.810</b> | stainless steel A2 | M10 | 22 | 18,5 | 17 |
| <b>K0794.812</b> | stainless steel A2 | M12 | 25 | 22,5 | 19 |
| <b>K0794.816</b> | stainless steel A2 | M16 | 31 | 29   | 24 |