

## Shoulder screws with slotted flat head DIN 923

### Item description/product images

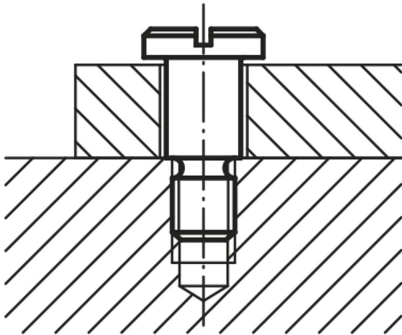


### Description

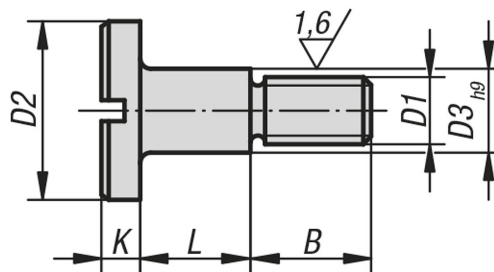
**Material:**  
Steel.

**Version:**  
Black oxidized, grade 5.8.

**Note:**  
For use with captive C-washers K0703.



### Drawings



### Shoulder screws with slotted flat head DIN 923

Order No.	D1	D2	D3	L	B	K
K0704.06	M6	13	8	10 +0,15/+0,07	9	3,1
K0704.08	M8	16	10	12 +0,2/+0,1	11	3,8
K0704.10	M10	20	13	16 +0,2/+0,1	13,5	4,6