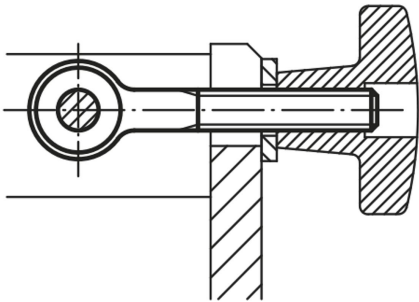


Eye bolts DIN 444, Form B

Item description/product images



Description

Material:

Steel or stainless steel A2.

Version:

Steel grade 8.8, black oxidized.

Stainless steel A2-70, bright.

Note:

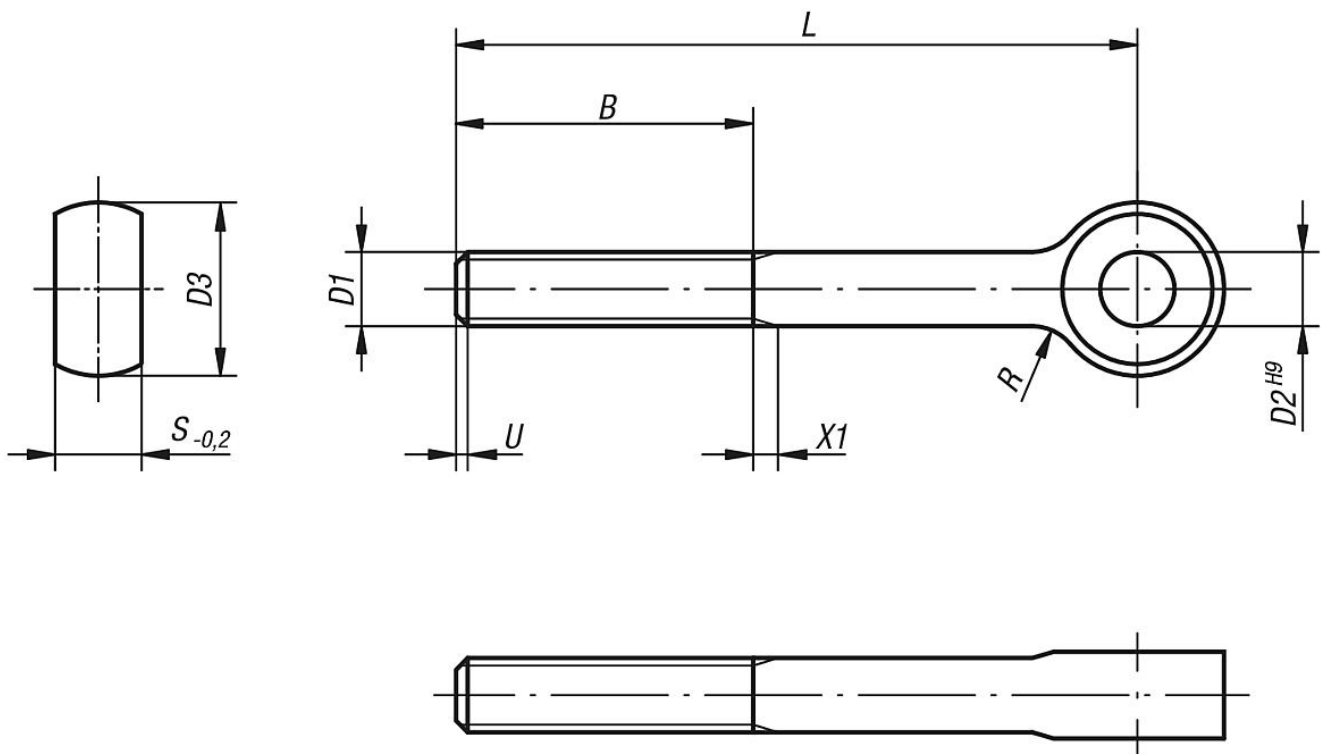
Suitable hinge pin, see B0430.

Drawing reference:

U = max. 2 P (incomplete thread)

X1 = to DIN 76 part 1

Drawings



Eye bolts DIN 444

Order No.	Main material	Grade	Surface finish body	D1	L	D2	D3	B	S	R
K0396.0550	steel	8.8	black oxidized	M5	50	5	12	16	6	2,5
K0396.0575	steel	8.8	black oxidized	M5	75	5	12	16	6	2,5
K0396.0650	steel	8.8	black oxidized	M6	50	6	14	18	7	4

Eye bolts DIN 444, Form B

Order No.	Main material	Grade	Surface finish body	D1	L	D2	D3	B	S	R
K0396.0675	steel	8.8	black oxidized	M6	75	6	14	18	7	4
K0396.0850	steel	8.8	black oxidized	M8	50	8	18	22	9	4
K0396.0875	steel	8.8	black oxidized	M8	75	8	18	22	9	4
K0396.1075	steel	8.8	black oxidized	M10	75	10	20	26	12	4
K0396.10100	steel	8.8	black oxidized	M10	100	10	20	26	12	4
K0396.1275	steel	8.8	black oxidized	M12	75	12	25	30	14	6
K0396.12100	steel	8.8	black oxidized	M12	100	12	25	30	14	6
K0396.12120	steel	8.8	black oxidized	M12	120	12	25	30	14	6
K0396.12130	steel	8.8	black oxidized	M12	130	12	25	36	14	6
K0396.1475	steel	8.8	black oxidized	M14	75	14	28	36	16	6
K0396.14130	steel	8.8	black oxidized	M14	130	14	28	36	16	6
K0396.16130	steel	8.8	black oxidized	M16	130	16	32	44	17	6
K0396.20140	steel	8.8	black oxidized	M20	140	18	40	52	22	6
K0396.10550	stainless steel A2	-	bright	M5	50	5	12	16	6	2,5
K0396.10650	stainless steel A2	-	bright	M6	50	6	14	18	7	4
K0396.10675	stainless steel A2	-	bright	M6	75	6	14	18	7	4
K0396.10850	stainless steel A2	-	bright	M8	50	8	18	22	9	4
K0396.10875	stainless steel A2	-	bright	M8	75	8	18	22	9	4
K0396.11075	stainless steel A2	-	bright	M10	75	10	20	26	12	4
K0396.110100	stainless steel A2	-	bright	M10	100	10	20	26	12	4
K0396.11275	stainless steel A2	-	bright	M12	75	12	25	30	14	6
K0396.112100	stainless steel A2	-	bright	M12	100	12	25	30	14	6
K0396.112120	stainless steel A2	-	bright	M12	120	12	25	30	14	6
K0396.112130	stainless steel A2	-	bright	M12	130	12	25	36	14	6
K0396.11475	stainless steel A2	-	bright	M14	75	14	28	36	16	6
K0396.114130	stainless steel A2	-	bright	M14	130	14	28	36	16	6
K0396.116130	stainless steel A2	-	bright	M16	130	16	32	44	17	6
K0396.120140	stainless steel A2	-	bright	M20	140	18	40	52	22	6