

## Threaded inserts reinforced

### Item description/product images



### Description

**Material:**

Threaded insert in steel or stainless steel.

**Version:**

Passivated.

**Note:**

Reinforced threaded inserts allow threaded holes which have been damaged, torn out or jammed to be used again or to be repaired. This makes it possible to recover scrap and rejects of expensive products.

Reinforced threaded inserts are suitable for use in various materials, including light metals and casting.

Inserts with internal threads larger than M6 are supplied with four locking pins instead of two.

Permissible deviations:

The medium tolerance class applies to the threads listed, i.e. 6H for nut threads and 6g for bolt threads. Other dimensions  $\pm 0.25$  mm.

With reinforced threaded inserts we also offer a version with a stronger cross-section for use in applications with greater stress.

Technical information see operating instructions for threaded inserts.

**Benefits:**

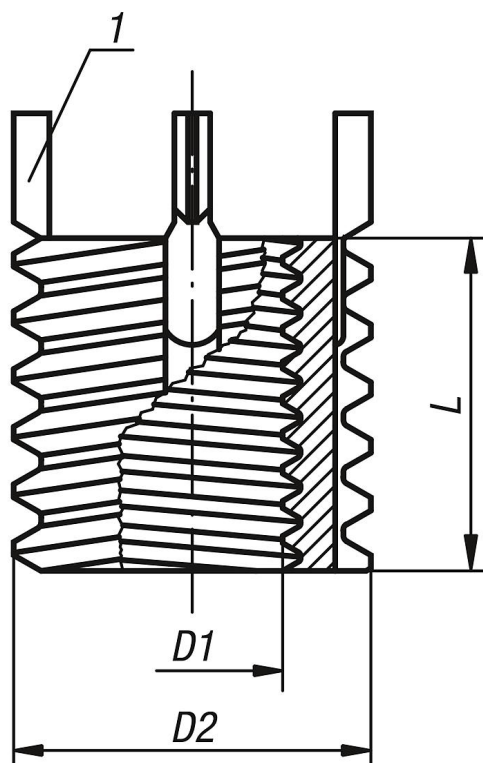
- Quick and easy installation.
- The insert is fixed with pins in order to prevent torsion due to twisting or vibrations.
- No other special tools are required besides the assembly tool.

**Drawing reference:**

- 1) locking pin

## Threaded inserts reinforced

### Drawings



### Threaded inserts reinforced and assembly tools

Order No.	Main material	D1 internal thread	D2 external thread	L length	Core drill Ø	Counter-sink Ø +0.25	Tap size	Min. thread depth	Removal drill Ø	Removal drilling depth	Item No. assembly tools
K0399.04	steel	M4	M8	8	6,9	8,3	M8	9,5	5,5	4	K0399.804
K0399.05	steel	M5	M10x1,25	10	8,8	10,3	M10x1,25	12,5	7,5	4,8	K0399.805
K0399.06	steel	M6	M12x1,25	12	10,8	12,3	M12x1,25	14,5	9,5	4,8	K0399.806
K0399.08	steel	M8	M14x1,5	14	12,8	14,3	M14x1,5	16,5	11,5	4,8	K0399.808
K0399.08X1	steel	M8x1	M14x1,5	14	12,8	14,3	M14x1,5	16,5	11,5	4,8	K0399.808
K0399.10	steel	M10	M16x1,5	16	14,8	16,3	M16x1,5	18,5	13,5	4,8	K0399.810
K0399.10X125	steel	M10x1,25	M16x1,5	16	14,8	16,3	M16x1,5	18,5	13,5	4,8	K0399.810
K0399.12	steel	M12	M18x1,5	18	16,8	18,3	M18x1,5	20,5	15,5	4,8	K0399.812
K0399.12X125	steel	M12x1,25	M18x1,5	18	16,8	18,3	M18x1,5	20,5	15,5	4,8	K0399.812
K0399.14	steel	M14	M20x1,5	20	18,8	20,3	M20x1,5	22,5	17,5	4,8	K0399.814
K0399.14X15	steel	M14x1,5	M20x1,5	20	18,8	20,3	M20x1,5	22,5	17,5	4,8	K0399.814
K0399.16	steel	M16	M22x1,5	22	20,7	22,3	M22x1,5	24,5	17,8	6,4	K0399.816
K0399.16X15	steel	M16x1,5	M22x1,5	22	20,7	22,3	M22x1,5	24,5	17,8	6,4	K0399.816
K0399.18X15	steel	M18x1,5	M24x1,5	24	22,5	24,3	M24x1,5	26,5	19,8	6,4	K0399.818
K0399.20	steel	M20	M30x2	30	28	30,3	M30x2	34,5	25,8	6,4	K0399.820
K0399.20X15	steel	M20x1,5	M30x2	30	28	30,3	M30x2	34,5	25,8	6,4	K0399.820
K0399.22X15	steel	M22x1,5	M32x2	32	30	32,3	M32x2	36,5	27,8	6,4	K0399.822
K0399.24	steel	M24	M33x2	33	31	33,3	M33x2	37,5	28,8	6,4	K0399.824
K0399.24X2	steel	M24x2	M33x2	33	31	33,3	M33x2	37,5	28,8	6,4	K0399.824
K0399.104	stainless steel	M4	M8	8	6,9	8,3	M8	9,5	5,5	4	K0399.804
K0399.105	stainless steel	M5	M10x1,25	10	8,8	10,3	M10x1,25	12,5	7,5	4,8	K0399.805
K0399.106	stainless steel	M6	M12x1,25	12	10,8	12,3	M12x1,25	14,5	9,5	4,8	K0399.806
K0399.108	stainless steel	M8	M14x1,5	14	12,8	14,3	M14x1,5	16,5	11,5	4,8	K0399.808
K0399.108X1	stainless steel	M8x1	M14x1,5	14	12,8	14,3	M14x1,5	16,5	11,5	4,8	K0399.808
K0399.110	stainless steel	M10	M16x1,5	16	14,8	16,3	M16x1,5	18,5	13,5	4,8	K0399.810
K0399.110X125	stainless steel	M10x1,25	M16x1,5	16	14,8	16,3	M16x1,5	18,5	13,5	4,8	K0399.810

## Threaded inserts reinforced

Order No.	Main material	D1 internal thread	D2 external thread	L length	Core drill Ø	Counter-sink Ø +0.25	Tap size	Min. thread depth	Removal drill Ø	Removal drilling depth	Item No. assembly tools
<b>K0399.112</b>	stainless steel	M12	M18x1,5	18	16,8	18,3	M18x1,5	20,5	15,5	4,8	K0399.812
<b>K0399.112X125</b>	stainless steel	M12x1,25	M18x1,5	18	16,8	18,3	M18x1,5	20,5	15,5	4,8	K0399.812
<b>K0399.114</b>	stainless steel	M14	M20x1,5	20	18,8	20,3	M20x1,5	22,5	17,5	4,8	K0399.814
<b>K0399.114X15</b>	stainless steel	M14x1,5	M20x1,5	20	18,8	20,3	M20x1,5	22,5	17,5	4,8	K0399.814
<b>K0399.116</b>	stainless steel	M16	M22x1,5	22	20,7	22,3	M22x1,5	24,5	17,8	6,4	K0399.816
<b>K0399.116X15</b>	stainless steel	M16x1,5	M22x1,5	22	20,7	22,3	M22x1,5	24,5	17,8	6,4	K0399.816
<b>K0399.118X15</b>	stainless steel	M18x1,5	M24x1,5	24	22,5	24,3	M24x1,5	26,5	19,8	6,4	K0399.818
<b>K0399.120</b>	stainless steel	M20	M30x2	30	28	30,3	M30x2	34,5	25,8	6,4	K0399.820
<b>K0399.120X15</b>	stainless steel	M20x1,5	M30x2	30	28	30,3	M30x2	34,5	25,8	6,4	K0399.820
<b>K0399.122X15</b>	stainless steel	M22x1,5	M32x2	32	30	32,3	M32x2	36,5	27,8	6,4	K0399.822
<b>K0399.124</b>	stainless steel	M24	M33x2	33	31	33,3	M33x2	37,5	28,8	6,4	K0399.824
<b>K0399.124X2</b>	stainless steel	M24x2	M33x2	33	31	33,3	M33x2	37,5	28,8	6,4	K0399.824