

# Threaded inserts self-tapping with cutting bores

## Item description/product images



### Description

#### Material:

Steel or 1.4305 (AISI 303 equivalent) stainless steel

#### Version:

Steel case hardened, electro zinc-plated.  
Stainless steel bright.

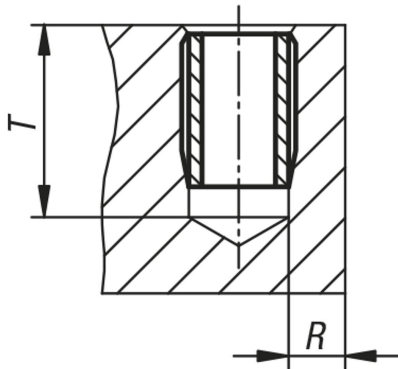
#### Note:

Self-tapping threaded inserts for making high-strength, wear-free, vibration resistant screw connections in materials with low shear strength such as aluminum and aluminum alloys, brass, bronze, cast iron, duro and thermoplastics.

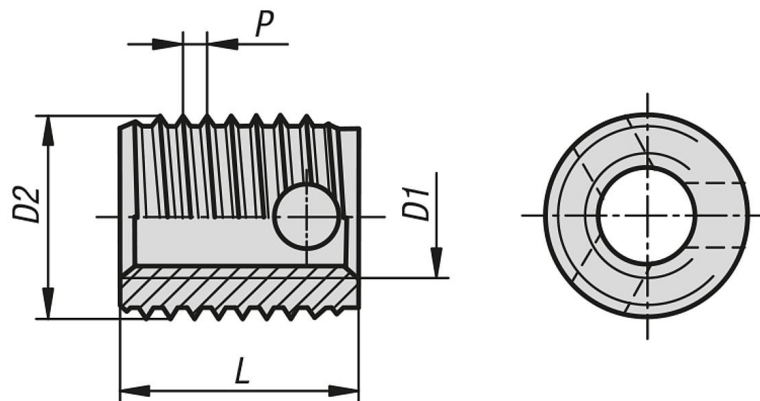
The threaded inserts are tapered at the bottom and have three cutting bores. They cut their own threads inside a receiver hole. This guarantees a completely secure and firm anchoring in the host material.

Internal thread D1 acc. to ISO 6H.

The threaded inserts with cutting bores are designed especially for materials difficult to machine. Due to the thicker wall, it can withstand greater force during cutting, which is also distributed over three cutting bores.



## Drawings



## Threaded inserts self-tapping with cutting bores

Order No.	Main material	D1 internal thread	D2	L length	P	T min.	R min. light metal	R min. cast iron	R min. plastics	Order No. Hand ass. tool	Order No. M/C ass. tool
K0979.03	steel	M3	5	4	0,6	6	1	1,5	1,25	K0978.803	K0978.903
K0979.04	steel	M4	6,5	6	0,8	8	1,3	1,95	1,6	K0978.804	K0978.904
K0979.05	steel	M5	8	7	1	9	1,6	2,4	2	K0978.805	K0978.905
K0979.06	steel	M6	10	8	1,25	10	2	3	2,5	K0978.806	K0978.906
K0979.08	steel	M8	12	9	1,5	11	2,4	3,6	3	K0978.808	K0978.908
K0979.10	steel	M10	14	10	1,5	13	2,8	4,2	3,5	K0978.810	K0978.910
K0979.12	steel	M12	16	12	1,75	15	3,2	4,8	4	K0978.812	K0978.912
K0979.103	stainless steel	M3	5	4	0,6	6	1	1,5	1,25	K0978.803	K0978.903

## Threaded inserts self-tapping with cutting bores

Order No.	Main material	D1 internal thread	D2	L length	P	T min.	R min. light metal	R min. cast iron	R min. plastics	Order No. Hand ass. tool	Order No. M/C ass. tool
<b>K0979.104</b>	stainless steel	M4	6,5	6	0,8	8	1,3	1,95	1,6	K0978.804	K0978.904
<b>K0979.105</b>	stainless steel	M5	8	7	1	9	1,6	2,4	2	K0978.805	K0978.905
<b>K0979.106</b>	stainless steel	M6	10	8	1,25	10	2	3	2,5	K0978.806	K0978.906
<b>K0979.108</b>	stainless steel	M8	12	9	1,5	11	2,4	3,6	3	K0978.808	K0978.908
<b>K0979.110</b>	stainless steel	M10	14	10	1,5	13	2,8	4,2	3,5	K0978.810	K0978.910
<b>K0979.112</b>	stainless steel	M12	16	12	1,75	15	3,2	4,8	4	K0978.812	K0978.912