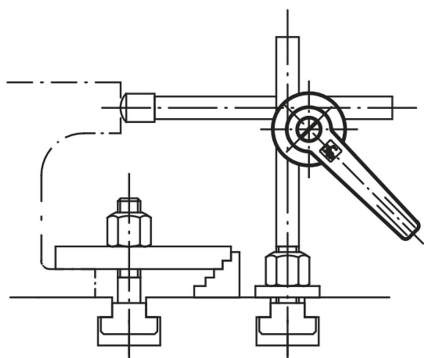


Clamping joints

Item description/product images



Description

Material:

Adjustable handle:

Handle fiberglass reinforced thermoplastic, black gray.

Steel parts:

grade 5.8.

Remaining components:

high-strength aluminum.

Version:

Steel parts black oxidized.

aluminum nickel silver anodized.

Note:

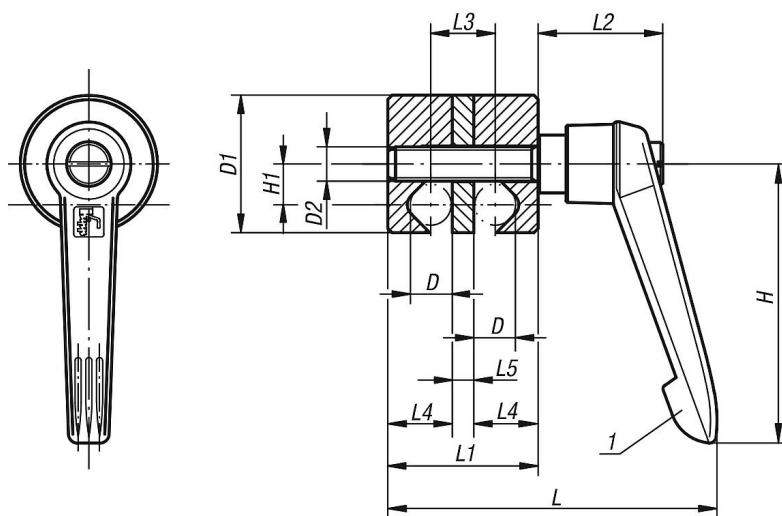
Clamping joints are used to clamp round cross sections (bars, tubes, etc.) and are infinitely adjustable.

The simple design together with the adjustable adjustable handle permits rapid clamping.

Drawing reference:

1) Adjustable handle

Drawings



Clamping joints

Order No.	D	D1	D2	H	H1	L	L1	L2	L3	L4	L5
K0133.01	8	28	M8	65	8,5	72	31	29	13	13	5
K0133.02	10	32	M8	65	9,5	76	35	29	15	15	5
K0133.03	12	36	M8	65	10,5	81	40	29	18	17	6
K0133.04	16	45	M10	80	13,5	103	50	37,5	22	22	6
K0133.05	20	74	M10	95	22	131	70	42,5	30	30	10

