

Clamping joints individually adjustable

Item description/product images



Description

Material:

Wing grip:
grip black gray thermoplastic.
Screw steel 5.8.
Remaining components:
high-strength aluminum.

Version:

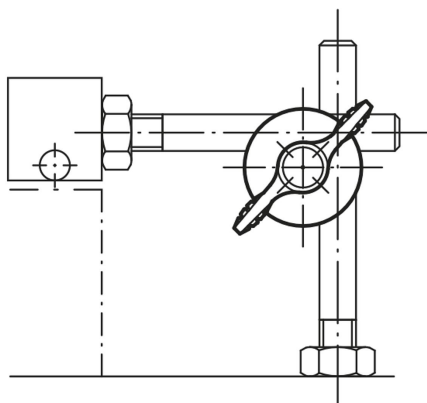
Steel parts trivalent blue passivated.
aluminum nickel silver anodized.

Note:

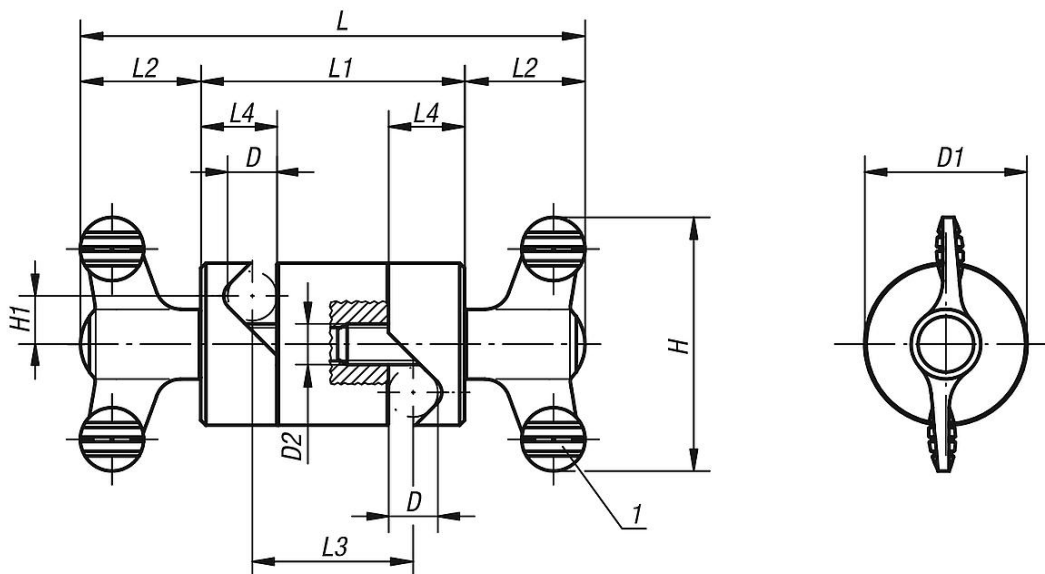
Clamping joints are used to clamp round cross sections (bars, tubes, etc.) and are individually and infinitely adjustable.
The simple design together with the wing grip permits rapid clamping.

Drawing reference:

1) wing grip



Drawings



Clamping joints individually adjustable

Order No.	D	D1	D2	H	H1	L	L1	L2	L3	L4
K0134.01	8	28	M8	50	8,5	90	42	24	24	13
K0134.02	10	32	M8	50	9,5	100	52	24	32	15
K0134.03	12	36	M8	50	10,5	104	56	24	34	17
K0134.04	16	45	M10	75	13,5	143,2	72	35,6	44	22

Clamping joints individually adjustable

Order No.	D	D1	D2	H	H1	L	L1	L2	L3	L4
K0134.05	20	74	M10	75	22	173,2	102	35,6	62	30