

## Dial gauge collets for Ø8 shafts

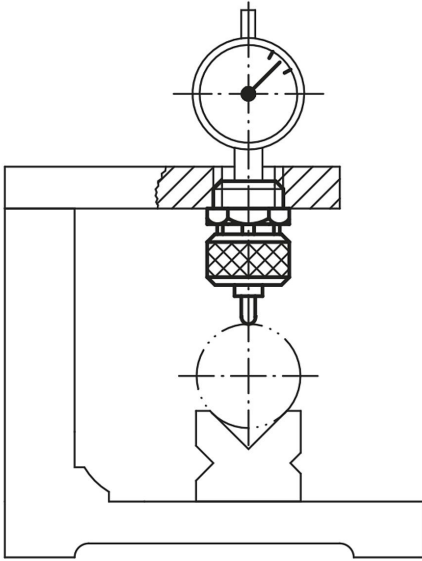
### Item description/product images



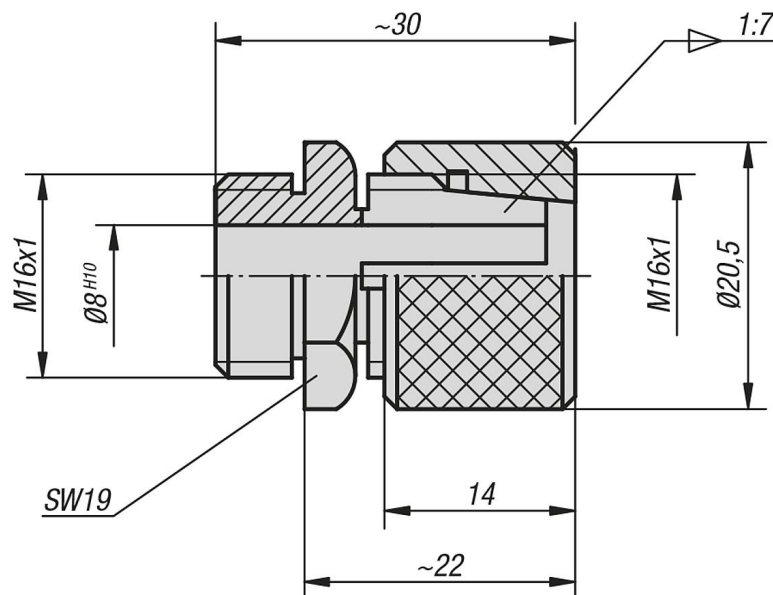
### Description

**Material:**  
Carbon steel.

**Version:**  
Black oxidized.  
Collet tempered.



### Drawings



### Dial gauge collets for Ø8 shafts

**Dial gauge collets for Ø8 shafts**

---

Item No.	Dimensions
K0629.08	see drawing

---