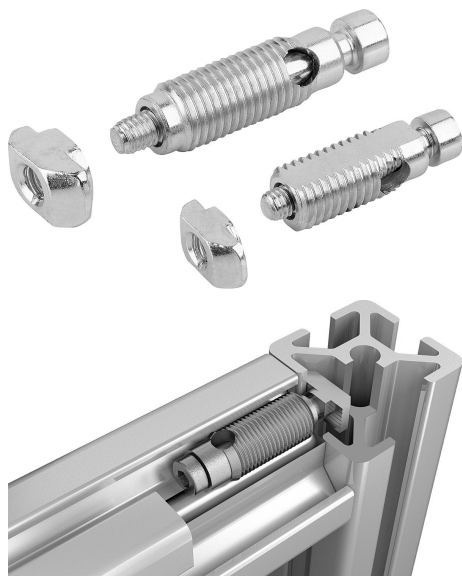


Connecting sets automatic Type B

Item description/product images



Description

Material:

Steel.

Version:

Electro zinc-plated.

Note:

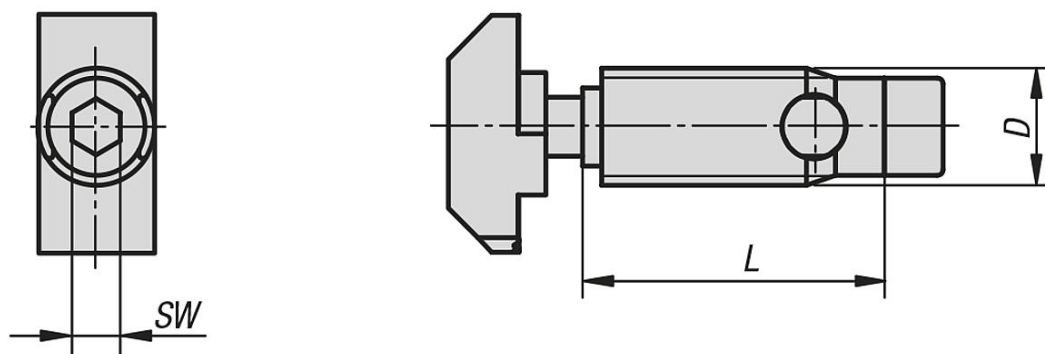
The connecting sets are used to connect two aluminum profiles at right angles. They enable free positioning of the profiles.

No machining of the profile is required. The connector is screwed into the profile slot from the front (left-hand thread). The connector has a self-tapping thread. The use of lubricants is recommended.

Automatic connecting sets should always be used opposite each other in pairs.

Connecting set for slot width 8 has a flattened thread to prevent protruding after installation.

Drawings



Connecting sets automatic Type B

Order No.	Type	Slot width	D	L	SW
K1037.0810	B	8	10,7	24	4
K1037.1012	B	10	12	35	5
K1037.1013	B	10 light	13	35	5