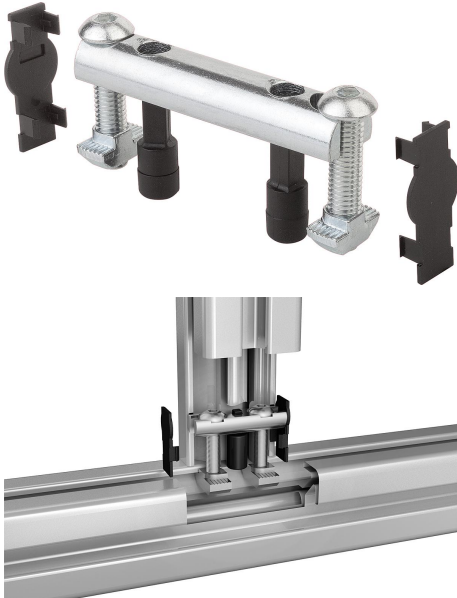


# Pin connector sets Type B

## Item description/product images



### Description

**Material:**

Pins, screws and T-nuts steel.

Locating pin and end caps polyamide, fiberglass reinforced.

**Version:**

Pins, screws and T-nuts electro zinc-plated.

Locating pin and end caps black.

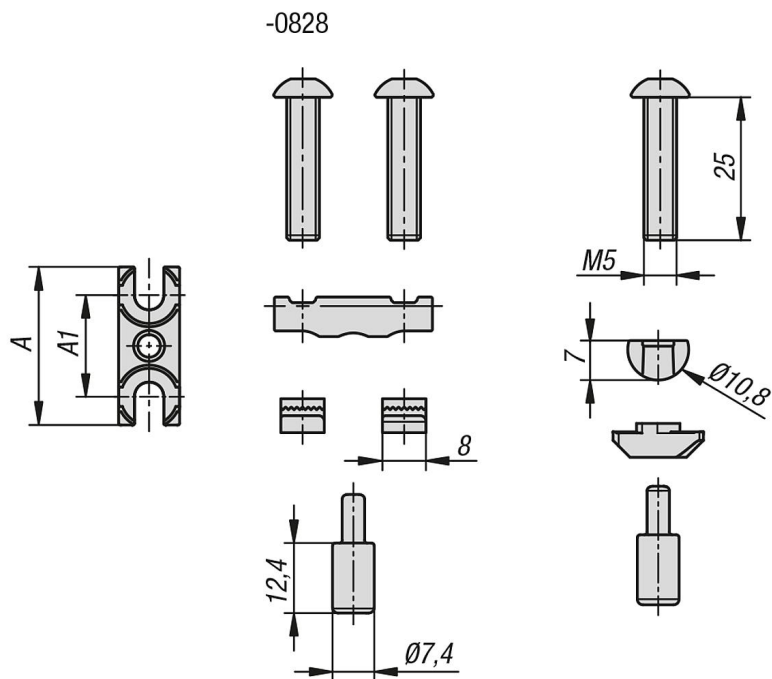
**Note:**

The connecting sets are used to connect two aluminum profiles at right angles. They allow free position of the profiles. Suitable for high loads and torsional forces.

Low processing workload. The connecting set requires only one Ø17 mm hole drilled in one end for installation.

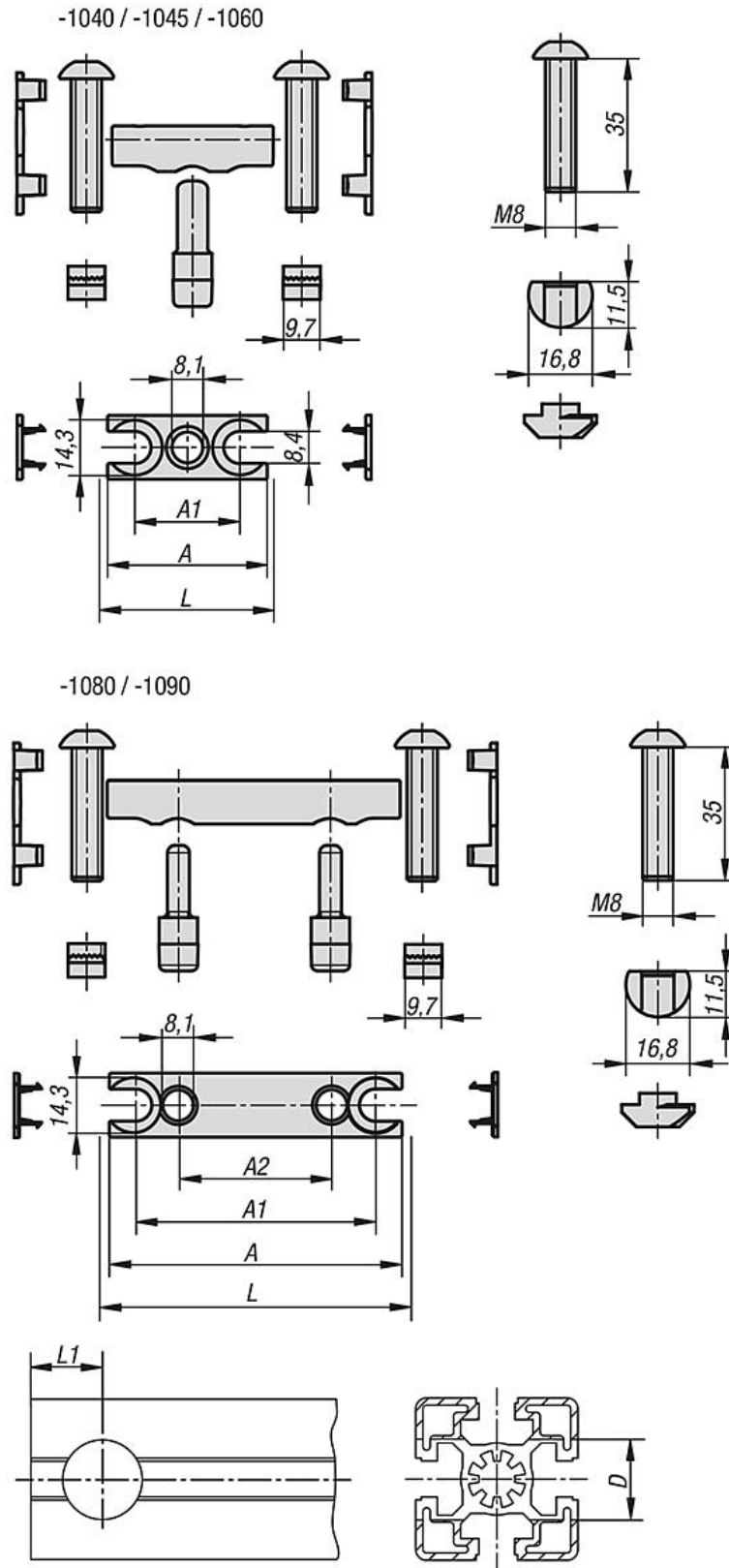
The connecting set K1038.0828 requires only one Ø11 mm hole drilled in one end for installation.

## Drawings



Pin connector sets Type B

Drawings



Pin connector sets Type B

## Pin connector sets Type B

Order No.	Type	Slot width	A	A1	A2	D	L	L1
K1038.0828	B	8	28	18	-	11	-	18
K1038.1040	B	10	37	23	-	17	40	22,5
K1038.1045	B	10	42	28	-	17	45	22,5
K1038.1060	B	10	57	43	-	17	60	22,5
K1038.1080	B	10	77	63	40	17	80	22,5
K1038.1090	B	10	87	73	45	17	90	22,5