

Hammer-head screws

Item description/product images



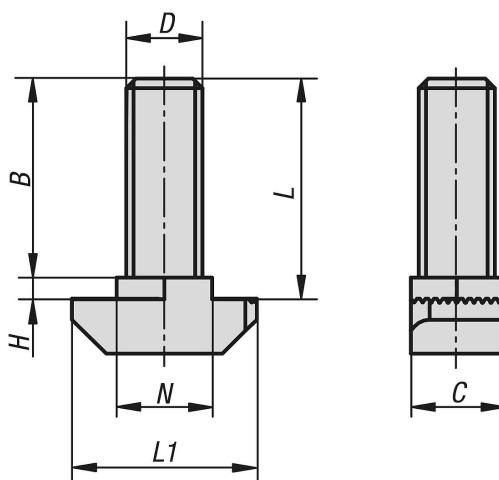
Description

Material:
Steel.

Version:
Grade 8.8, electro zinc-plated.

Note:
Universal fastening element. The hammer-headed screw is twisted into the profile slot and so can be mounted into an existing system at a later date. The serrations break through the anodized film and create a secure, electrical conductive connection.

Drawings



Hammer-head screws

Order No.	Type	Slot width	B	C	D	H	L	L1	N
K1029.0806015X16	B	8	14,5	7,7	M6	1,5	16	16	7,7
K1029.0806015X20	B	8	18,5	7,7	M6	1,5	20	16	7,7

Hammer-head screws

Order No.	Type	Slot width	B	C	D	H	L	L1	N
K1029.0806015X25	B	8	23,5	7,7	M6	1,5	25	16	7,7
K1029.1008030X20	B	10	17	8,5	M8	3	20	19	9,7
K1029.1008030X25	B	10	22	8,5	M8	3	25	19	9,7
K1029.1008030X30	B	10	27	8,5	M8	3	30	19	9,7
K1029.1008030X40	B	10	37	8,5	M8	3	40	19	9,7
K1029.1008030X60	B	10	57	8,5	M8	3	60	19	9,7