

Slot nuts twist-in, keyed Type I

Item description/product images



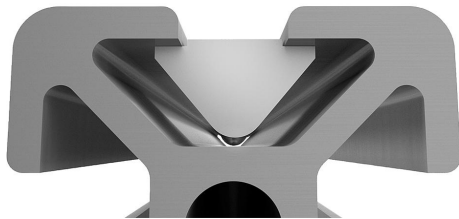
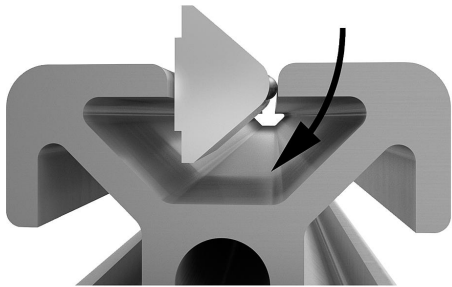
Description

Material:
Steel.

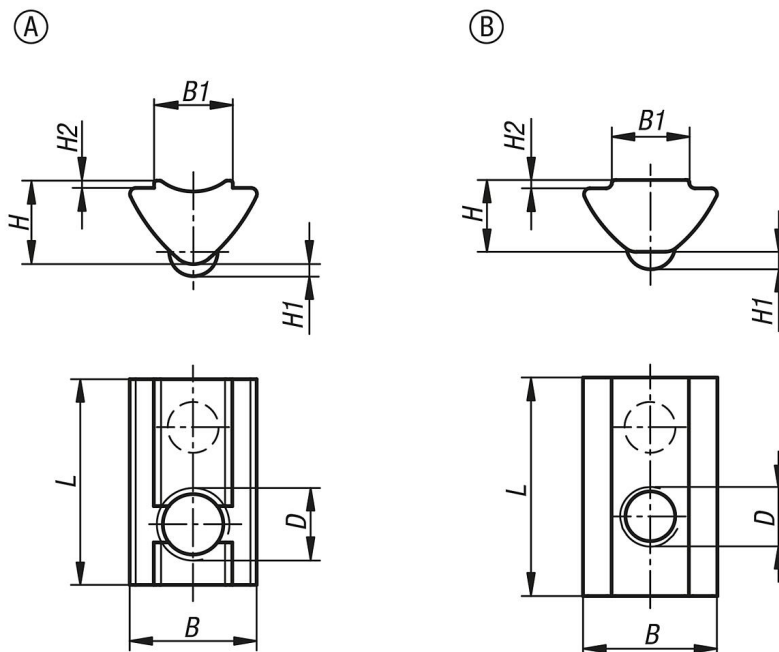
Version:
Electro zinc-plated.

Note:

The slot nut is twisted into the profile slot and so can be subsequently inserted into existing systems. The spring-loaded ball allows the nut to be fixated anywhere in the profile slot. The key centers the nut in the profile slot and keeps it neatly seated.



Drawings



Slot nuts twist-in, keyed Type I

Slot nuts twist-in, keyed Type I

Order No.	Style	Slot width	D	B	B1	H	H1	H2	L
K1024.0604	A	6	M4	10,5	6,5	6,9	1	0,6	17
K1024.0605	A	6	M5	10,5	6,5	6,9	1	0,6	17
K1024.0606	A	6	M6	10,5	6,5	6,9	1	0,6	17
K1024.0803	B	8	M3	13,5	7,8	7,2	1,75	0,8	22
K1024.0804	B	8	M4	13,5	7,8	7,2	1,75	0,8	22
K1024.0805	B	8	M5	13,5	7,8	7,2	1,75	0,8	22
K1024.0806	B	8	M6	13,5	7,8	7,2	1,75	0,8	22
K1024.0808	B	8	M8	13,5	7,8	7,2	1,75	0,8	22