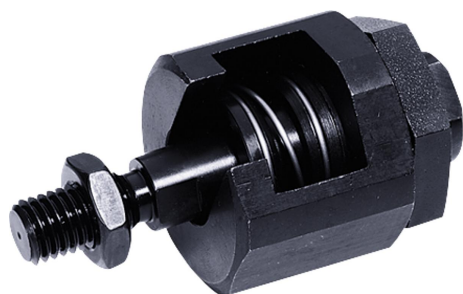


Quick-fit couplings with angular and radial offset compensation

Item description/product images



Description

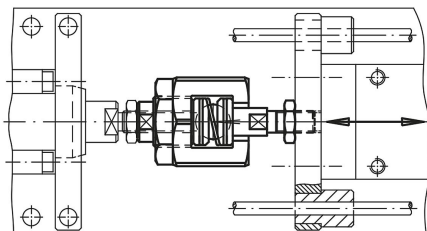
Version:

Coupling part nitrided, black.
 Claw and seat tempered and phosphated.
 Nut phosphated.
 Locknut black.

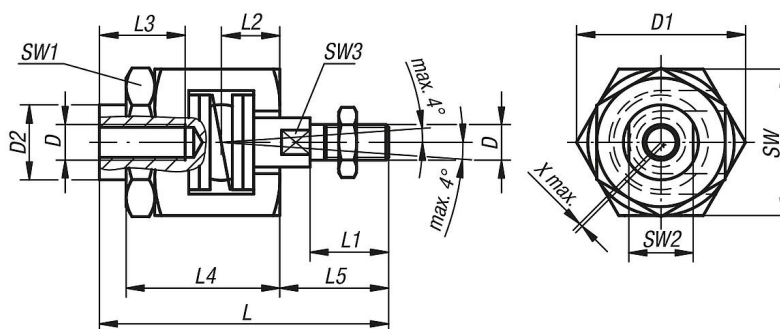
Note:

Quick-fit coupling, adjustable without axial play, including angular and radial offset compensation. Suitable for multiple applications, e.g. for non-aligned linear-movements. Solid and compact design, no loose elements. Assembly and disassembly with a T-slot; a manual re-adjustment is not necessary. The quick-fit coupling can be linked to all commonly used pneumatic and hydraulic lifting cylinders via the connecting thread.

The quick-fit coupling does not transmit any torque.



Drawings



Quick-fit couplings with angular and radial offset compensation

Item No.	D	D1	D2	L	L1	L2	L3 min.	L4	L5	SW	SW1	SW2	SW3	radial offset compensation X max.	Max. permissible tensile and compressive stress kN
K0711.06	M6	24,5	9,6	52	14	9,5	13	29	18,5	22	19	8	5	0,6	2,5
K0711.08	M8	30	15	63	18	11,5	16	33	23,5	27	24	13	7	0,6	4,5
K0711.10	M10	44	21	81	22	16	24	43	30,5	41	36	18	12	0,7	6,5
K0711.101	M10x1,25	44	21	81	22	16	24	43	30,5	41	36	18	12	0,7	6,5
K0711.12	M12	44	21	85	26	16	24	43	34,5	41	36	18	12	0,7	10
K0711.121	M12x1,25	44	21	85	26	16	24	43	34,5	41	36	18	12	0,7	10
K0711.16	M16	60	32	121	34	26	34	62	45	55	46	27	18	1	18
K0711.161	M16x1,5	60	32	121	34	26	34	62	45	55	46	27	18	1	18
K0711.20	M20	60	32	129	42	26	34	62	53	55	46	27	18	1	30
K0711.201	M20x1,5	60	32	129	42	26	34	62	53	55	46	27	18	1	30