

# Rod ends with plain bearing external thread, stainless steel, DIN ISO 12240-4

Item description/product images



## Description

### Material:

Housing forged 1.4057 (AISI 431 equivalent) stainless steel.  
Ball joint 1.4034 (AISI 420 equivalent) hardened and ground.  
Bearing shell 1.4571 (AISI 316 Ti equivalent) stainless steel.

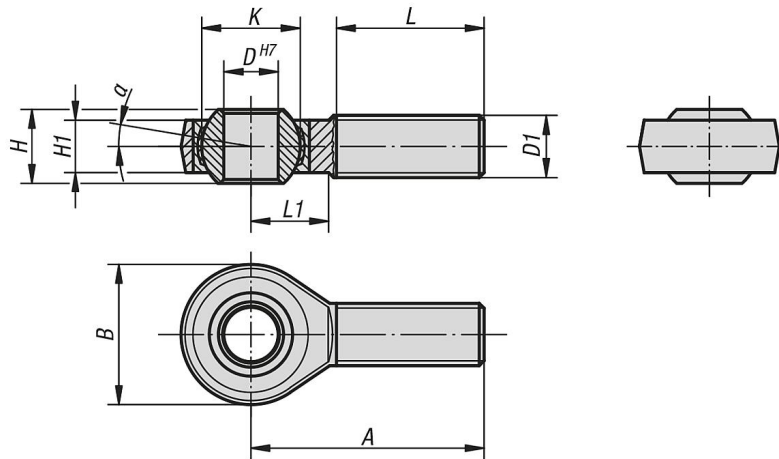
### Version:

Polished.

### Note:

The rod end bearing is maintenance-free.  
The connection dimensions comply with DIN 648 style Series KA.

## Drawings



## Rod ends with plain bearing, external thread, stainless steel, DIN ISO 12240-4

Order No.	Version	D	D1	A	B	H	H1	K	L	L1	$\alpha$	Dynamic base loads kN	Static base loads kN
K0720.05	rh thread	5	M5	33	18	8	6	11,11	20	9	13°	7,5	6,2
K0720.06	rh thread	6	M6	36	20	9	6,75	12,7	22	12	13°	9,3	8,8
K0720.08	rh thread	8	M8	42	24	12	9	15,87	25	15	13°	16,7	16,1
K0720.10	rh thread	10	M10	48	28	14	10,5	19,05	29	15	13°	23,4	25,5
K0720.12	rh thread	12	M12	54	32	16	12	22,22	33	19	13°	32	34,5
K0720.16	rh thread	16	M16	66	42	21	15	28,57	40	22	15°	52,7	60,6
K0720.20	rh thread	20	M20x1,5	78	50	25	18	34,92	47	28	15°	78,1	83,1
K0720.22	rh thread	22	M22x1,5	84	54	28	20	38,1	51	26	15°	97,2	99,7
K0720.051	lh thread	5	M5	33	18	8	6	11,11	20	9	13°	7,5	6,2
K0720.061	lh thread	6	M6	36	20	9	6,75	12,7	22	12	13°	9,3	8,8
K0720.081	lh thread	8	M8	42	24	12	9	15,87	25	15	13°	16,7	16,1
K0720.101	lh thread	10	M10	48	28	14	10,5	19,05	29	15	13°	23,4	25,5
K0720.121	lh thread	12	M12	54	32	16	12	22,22	33	19	13°	32	34,5
K0720.161	lh thread	16	M16	66	42	21	15	28,57	40	22	15°	52,7	60,6
K0720.201	lh thread	20	M20x1,5	78	50	25	18	34,92	47	28	15°	78,1	83,1
K0720.221	lh thread	22	M22x1,5	84	54	28	20	38,1	51	26	15°	97,2	99,7

