

## Magnets deep pot with internal thread NdFeB

### Item description/product images



### Description

#### Material:

Housing, steel.  
Magnetic core NdFeB.

#### Version:

Housing, electro zinc-plated.

#### Note:

Shielded system. Deep pot magnets are used for mounting in steel and iron. This requirement is principally stipulated in plant and machine construction. Can also be used in blind holes.

Size D=50 has 4 magnets  $\varnothing 18$  mm.

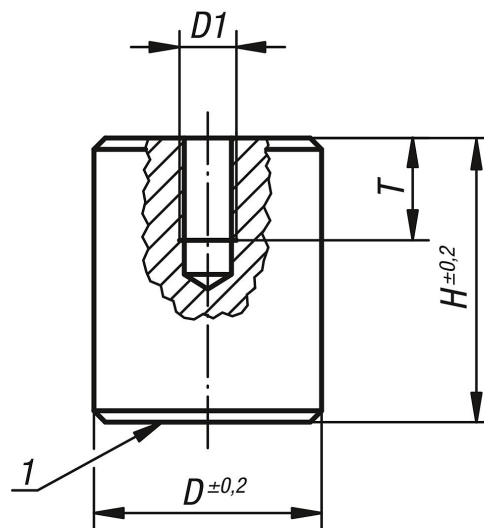
#### Temperature range:

max. 80°C.

#### Drawing reference:

1) magnetic face

### Drawings



### Magnets deep pot with internal thread NdFeB

Item No.	D	D1	H	T	Can be shortened by (mm)	Magnetic force N
K0552.01	8	M3	12	5	3	12
K0552.02	10	M4	16	7	7	24
K0552.03	13	M4	18	7	3	60
K0552.04	16	M4	20	7	6	90
K0552.05	20	M5	25	9	9	135
K0552.06	25	M6	30	9	10	190

**Magnets deep pot with internal thread NdFeB**

Item No.	D	D1	H	T	Can be shortened by (mm)	Magnetic force N
<b>K0552.07</b>	35	M8	40	13	10	300
<b>K0552.08</b>	50	M12	50	13	13	550