

Magnets shallow pot with threaded pin NdFeB, with rubber protective jacket

Item description/product images



Description

Material:

Housing, steel.

Magnetic core NdFeB (neodym).

Protective rubber jacket, synthetic rubber.

Version:

Housing, electro zinc-plated.

Black protective rubber jacket.

Note:

Shallow pot magnets with threaded pin, shielded system. With rubber protective jacket for protecting sensitive surfaces. The coefficient of friction is increased by the rubber jacket, so that high lateral friction is achieved.

Temperature range:

max. 60°C.

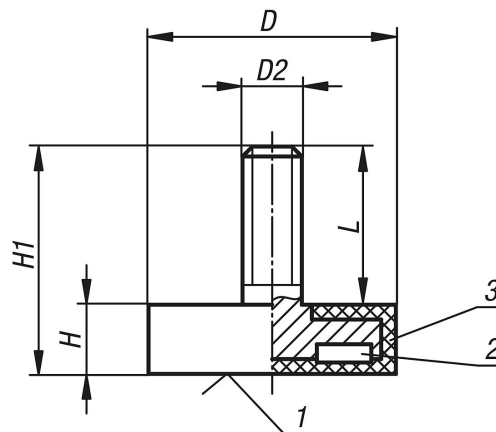
Drawing reference:

1) magnetic face

2) magnet

3) rubber

Drawings



Magnets shallow pot with threaded pin NdFeB, with rubber protective jacket

Item No.	D	D2	H	H1	L	Magnetic force N
K0564.05	12	M4	7	15,5	8,5	13
K0564.06	18	M4	6	12	6	37
K0564.01	22	M4	6	12,5	6,5	50
K0564.07	31	M6	6	17	11	89
K0564.02	43	M6	6	21	15	85
K0564.03	66	M8	8,2	23	14,8	180
K0564.04	88	M8	8,2	23,5	15,3	420

Magnets shallow pot with threaded pin NdFeB, with rubber protective jacket

