

## Rubber buffers type AT tapered

### Item description/product images

---



### Description

**Material:**

Metal parts, steel, grade 5.6.

Elastomer natural rubber, medium hardness, Shore 57A.

**Version:**

Steel electro zinc-plated.

**Note:**

The rubber buffers are widely-used construction elements for elastic mounting. They are used, among other things, as mountings for aggregates, motors, compressors, pumps and testing machinery.

Rubber buffers with a waisted contour reduce high edge loads on the rubber by radial deflection and so increase the components service life.

Due to the material composition, rubber buffers are contact-coloring, which can lead to abrasion marks and discoloration on e.g. floors or contact surfaces.

Rubber buffers made of light gray EPDM that are not contact-coloring are available on request.

**Temperature range:**

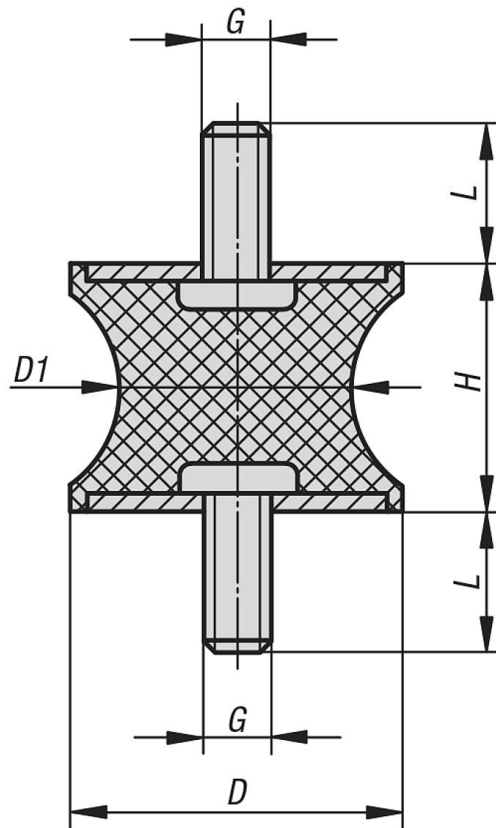
-30 °C to +80 °C

**On request:**

Other Shore grades.

## Rubber buffers type AT tapered

### Drawings



### Rubber buffers type AT tapered

Item No.	D	D1	H	G	L	Spring stiffness N/mm	Load N
K0567.01001057	10	8	10	M4	13	31	37
K0567.01501557	15	12	15	M4	13	71	135
K0567.02001557	20	14	15	M6	18	177	283
K0567.03002057	30	22	20	M8	23	212	763
K0567.04003057	40	33	30	M8	23	202	1111
K0567.04004857	40	20	48	M8	23	101	626
K0567.05003057	50	40	30	M10	28	351	1229
K0567.07504057	75	50	40	M12	37	466	2330