

## Rubber buffers type CT tapered

### Item description/product images



### Description

#### Material:

Metal parts, steel, grade 5.6.

Elastomer natural rubber, medium hardness, Shore 57A.

#### Version:

Steel electro zinc-plated.

#### Note:

The rubber buffers are widely-used construction elements for elastic mounting. They are used, among other things, as mountings for aggregates, motors, compressors, pumps and testing machinery.

Rubber buffers with a waisted contour reduce high edge loads on the rubber by radial deflection and so increase the components service life.

Due to the material composition, rubber buffers are contact-coloring, which can lead to abrasion marks and discoloration on e.g. floors or contact surfaces.

Rubber buffers made of light gray EPDM that are not contact-coloring are available on request.

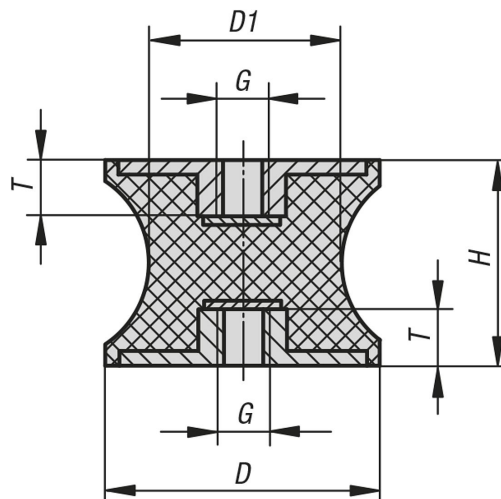
#### Temperature range:

-30 °C to +80 °C

#### On request:

Other Shore grades.

### Drawings



### Rubber buffers type CT tapered

Item No.	D	D1	H	G	T	Spring stiffness N/mm	Load N
K0570.01501557	15	12	15	M4	4	111	122
K0570.02001557	20	14	15	M6	6	227	227
K0570.03002057	30	22	20	M8	8	252	504
K0570.04003057	40	33	30	M8	8	199	796

**Rubber buffers type CT tapered**

Item No.	D	D1	H	G	T	Spring stiffness N/mm	Load N
<b>K0570.04004857</b>	40	20	48	M8	8	111	555
<b>K0570.05003057</b>	50	40	30	M10	10	499	998
<b>K0570.07504057</b>	75	50	40	M12	12	597	2030