

Oil level sight glasses, aluminum, glass window

Item description/product images



Description

Material:

Housing, reflector in aluminum.
Natural, clear glass viewing lens.
Internal seal, Viton®.

Version:

Viewing lens, temperature-resistant to 150 °C.
Flat seal, asbestos-free.

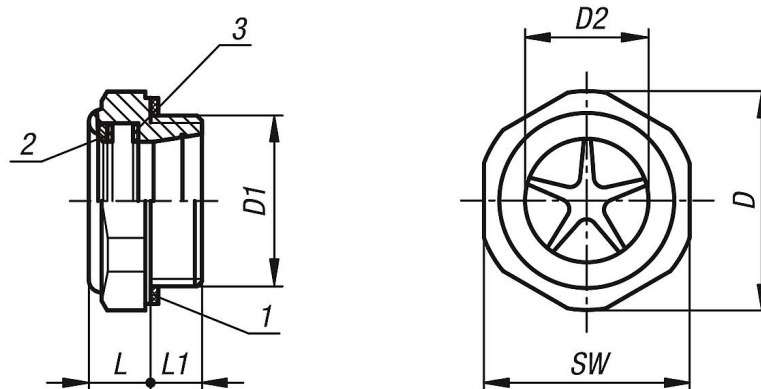
Note:

Resists high pressure and heat. Natural glass as the viewing lens ensures optimal light transmission and high surface hardness.

Drawing reference:

- 1) flat seal
- 2) external seal
- 3) internal seal

Drawings



Oil level sight glasses, aluminum, glass window

Order No.	D	D1	D2	L	L1	SW	Tightening torque max. Nm	Pressure load max. bar
K0246.29012	29,5	G1/2	12	10	9	27	18	20
K0246.34034	34,5	G3/4	16	12	10	32	24	20
K0246.42100	42,5	G1	23	12	10	40	-	20
K0246.292015	29,5	M20X1,5	12	10	9	27	18	20
K0246.423315	42,5	M33X1,5	23	12	10	40	-	20