

Ring bolts DIN 580

Item description/product images



Description

Material:

1.1141 steel, 1.4301 (AISI 304 equivalent) stainless steel or 1.4401 (AISI 316 equivalent) stainless steel.

Version:

Steel: drop forged.
Stainless steel: cast.

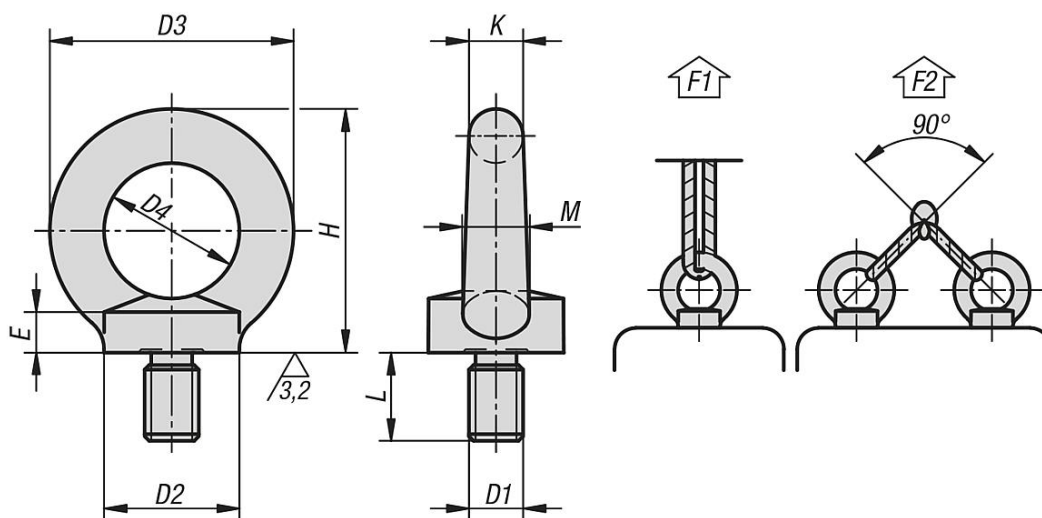
Note:

DIN 580 steel ring bolts:
Stainless steel ring bolts similar to DIN 580:
For light requirements, e.g. fence construction, chain barriers and light machining.
F2 load handling with max. 45° sling angle per ring bolt.

On request:

Available with CE marking and certificate of conformity.

Drawings



Ring bolts DIN 580

Order No.	Main material	Steel code	Surface finish body	D1	L	D2	D3	D4	E	H	K	M	F1 max. kN	F2 max. kN
K0767.08	steel	1.1141	bright	M8	13	20	36	20	6	36	8	10	1,4	0,95
K0767.10	steel	1.1141	bright	M10	17	25	45	25	8	45	10	12	2,3	1,7
K0767.12	steel	1.1141	bright	M12	20,5	30	54	30	10	53	12	14	3,4	2,4
K0767.16	steel	1.1141	bright	M16	27	35	63	35	12	62	14	16	7	5
K0767.20	steel	1.1141	bright	M20	30	40	72	40	14	71	16	19	12	8,3
K0767.24	steel	1.1141	bright	M24	36	50	90	50	18	90	20	24	18	12,7
K0767.008	steel	1.1141	galvanized	M8	13	20	36	20	6	36	8	10	1,4	0,95
K0767.010	steel	1.1141	galvanized	M10	17	25	45	25	8	45	10	12	2,3	1,7
K0767.012	steel	1.1141	galvanized	M12	20,5	30	54	30	10	53	12	14	3,4	2,4
K0767.016	steel	1.1141	galvanized	M16	27	35	63	35	12	62	14	16	7	5
K0767.020	steel	1.1141	galvanized	M20	30	40	72	40	14	71	16	19	12	8,3
K0767.024	steel	1.1141	galvanized	M24	36	50	90	50	18	90	20	24	18	12,7

Order No.	Main material	Steel code	Surface finish body	D1	L	D2	D3	D4	E	H	K	M	F1 max. kN	F2 max. kN
K0767.108	stainless steel	1.4301	-	M8	13	20	36	20	6	36	8	10	1,4	0,95
K0767.110	stainless steel	1.4301	-	M10	17	25	45	25	8	45	10	12	2,3	1,7
K0767.112	stainless steel	1.4301	-	M12	20,5	30	54	30	10	53	12	14	3,4	2,4
K0767.116	stainless steel	1.4301	-	M16	27	35	63	35	12	62	14	16	7	5
K0767.120	stainless steel	1.4301	-	M20	30	40	72	40	14	71	16	19	12	8,3
K0767.124	stainless steel	1.4301	-	M24	36	50	90	50	18	90	20	24	18	12,7
K0767.208	stainless steel	1.4401	-	M8	13	20	36	20	6	36	8	10	1,4	0,95
K0767.210	stainless steel	1.4401	-	M10	17	25	45	25	8	45	10	12	2,3	1,7
K0767.212	stainless steel	1.4401	-	M12	20,5	30	54	30	10	53	12	14	3,4	2,4
K0767.216	stainless steel	1.4401	-	M16	27	35	63	35	12	62	14	16	7	5
K0767.220	stainless steel	1.4401	-	M20	30	40	72	40	14	71	16	19	12	8,3
K0767.224	stainless steel	1.4401	-	M24	36	50	90	50	18	90	20	24	18	12,7

Information about this article