

Bow shackles

Item description/product images



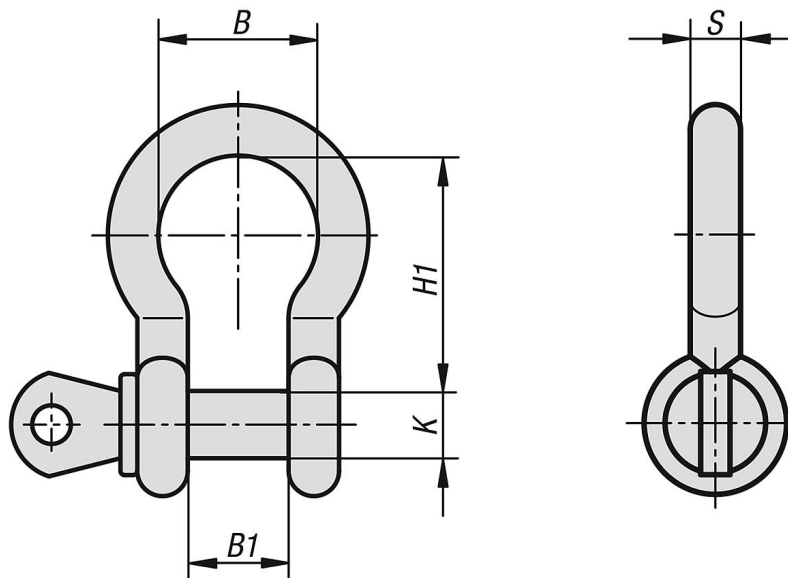
Description

Material:
Steel.

Version:
Bow style.

Note:
Shackles and bolts may vary in color.
Paint may cause the thread to be stiff.

Drawings



Bow shackle

Item No.	B	B1	S	K	H1	Inches	Permissible load kg
K1058.0050008	19,8	12	6,4	8	28,7	1/4	500
K1058.0075010	21,3	13	7,9	9,5	31	5/16	750
K1058.0100011	26,2	16,8	9,6	11	36,5	3/8	1000
K1058.0150012	29,5	19	11,2	12,7	43	7/16	1500
K1058.0200016	33	20,6	12,7	16	48	1/2	2000
K1058.0325019	42	27	16	19	60	5/8	3250
K1058.0475022	51	31,8	19	22,2	71	3/4	4750
K1058.0650025	58	36,6	22	25,4	84	7/8	6500
K1058.0850028	68	43	25	28,5	95	1	8500

