

Ball transfer units with fastening holes, without housing

Item description/product images



Description

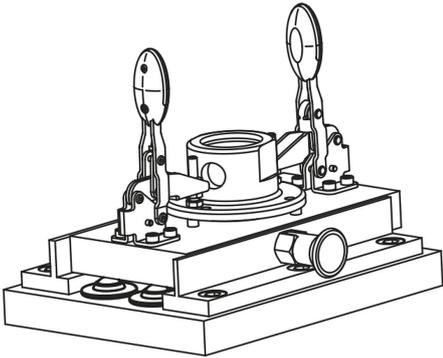
Material:
Steel electro zinc-plated.

Note:
Ball transfer units with fastening holes for easy installation and removal.

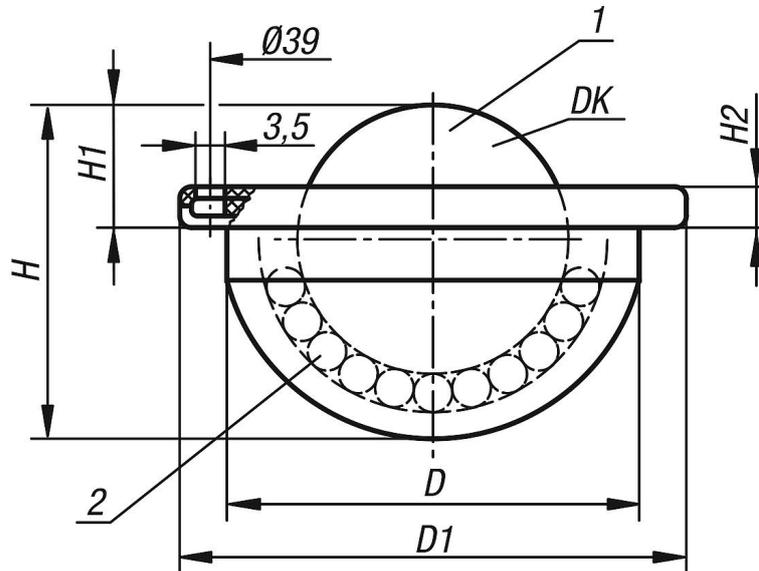
Drawing reference:

- 1) load ball
- 2) bearing balls

style B: cap and housing electro zinc-plated, balls steel
style C: cap and housing electro zinc-plated, balls stainless steel



Drawings



Ball transfer units with fastening holes, without housing

Item No.	Style	DK	D	D1	H	H1	H2	No. of fastening holes	Load rating C (N)
K0764.122	B	22	33-0,2	45	27,7	9,8±0,2	5	3	1200
K0764.222	C	22	33-0,2	45	27,7	9,8±0,2	5	3	900

