

Ball transfer units with spring clips

Item description/product images



Description

Material:

Steel electro zinc-plated.

Note:

Ball transfer units with spring clips for easy installation and removal from the functional side. The roller is held in place with spring clips, this permits generous tolerances in the receiving hole.

They have a felt seal to protect against dirt.

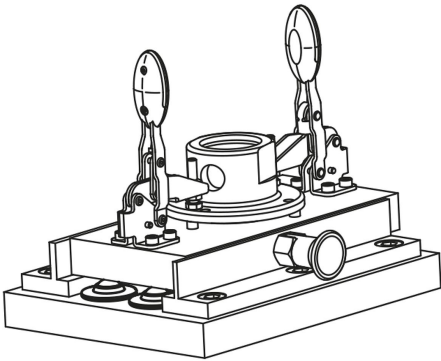
S = Minimum nominal thickness of mounting base.

Drawing reference:

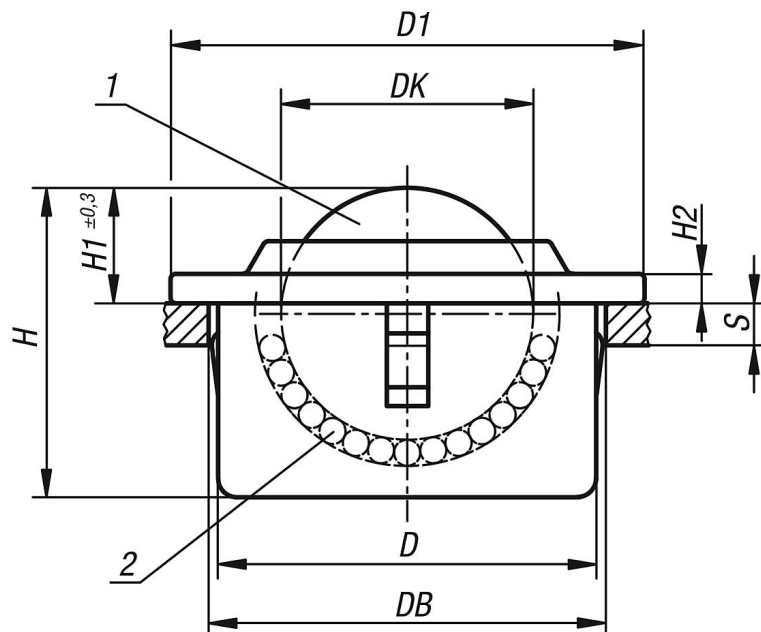
- 1) load ball
- 2) bearing balls

style B: cap and housing electro zinc-plated, balls steel

style C: cap and housing electro zinc-plated, balls stainless steel



Drawings



Ball transfer units with spring clips

Ball transfer units with spring clips

Order No.	Style	DK	D	D1	Receiver-Ø DB	H	H1	H2	S	Load rating C (N)
K0765.115	B	15,8	24±0,1	31	25 +0,5	21	9,5	2,8	2	600
K0765.122	B	22,2	36±0,1	45	37 +0,5	30	9,8	2,8	3	1600
K0765.130	B	30	45±0,1	55	46 +0,5	37	13,8	4	6	3000
K0765.215	C	15,8	24±0,1	31	25 +0,5	21	9,5	2,8	2	600
K0765.222	C	22,2	36±0,1	45	37 +0,5	30	9,8	2,8	3	1600
K0765.230	C	30	45±0,1	55	46 +0,5	37	13,8	4	6	3000