

## Tolerance rings

### Item description/product images



### Description

**Material:**

Spring band steel

**Note:**

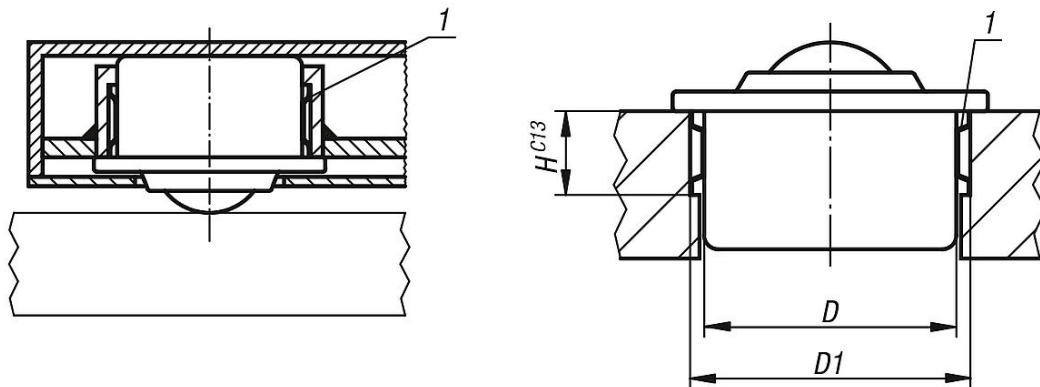
The use of tolerance rings allows for a greater tolerance range between the parts being assembled.

The ball transfer units can be fitted quickly and cost effectively.

**Drawing reference:**

1) tolerance ring

### Drawings



### Tolerance rings

Item No.	D	Assembly dimensions D1	Assembly dimensions H
K0766.024	24	25,7 +0,2	7
K0766.036	36	37,7 +0,2	12
K0766.045	45	46,7 +0,2	12
K0766.062	62	64,1 +0,3	15
K0766.100	100	102,5 +0,35	19