

Toggle clamps mini push-pull, style B

Item description/product images



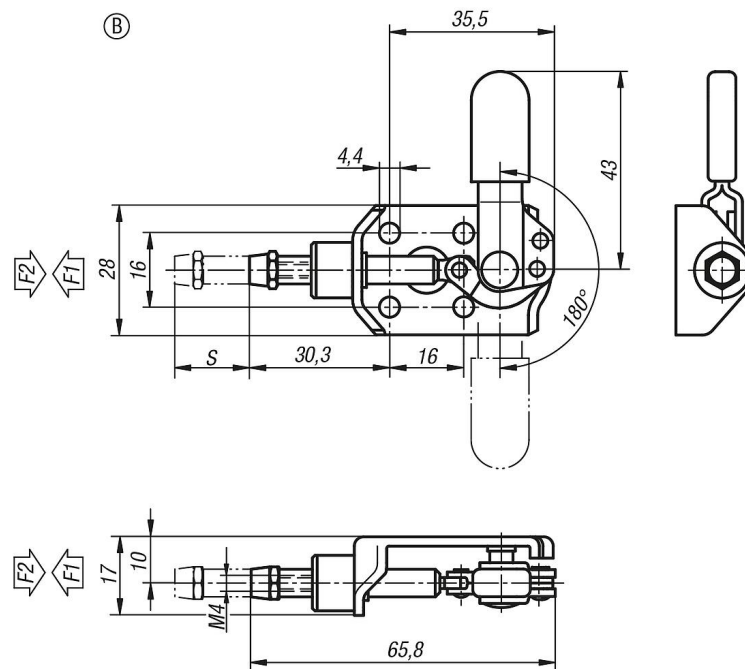
Description

Material:
Steel.

Version:
Trivalent passivated.
Plastic grip oil resistant.

Note:
Push-pull toggle clamps with very low profile. As the clamps lock in the open and closed handle positions, they can be used to clamp when pushing or pulling.

Drawings



Order No.	Style	Travel S	Retaining force F2 N	Retaining force F1 N
K0745.20050	B	16	500	500