

Eccentric clamp module Style A

Item description/product images



Description

Material:

Body steel.

Cam levers cast aluminum.

Version:

Body black oxidized.

T-nut electro zinc-plated.

Cam levers black powder coated.

Note:

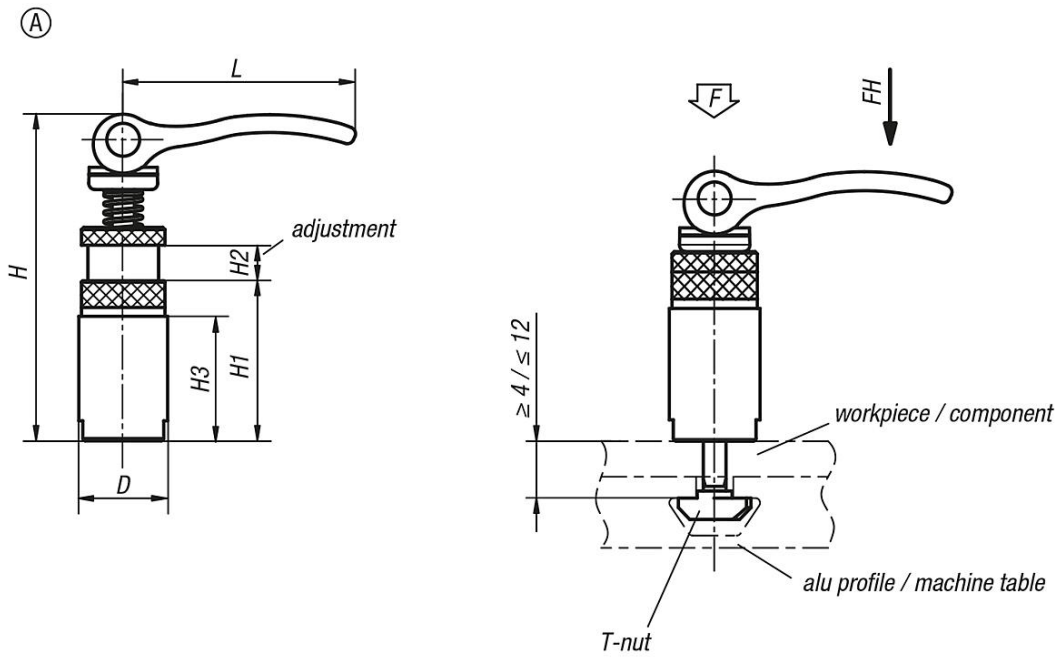
The clamp module is inserted into the T-slot from above and secured using the cam lever, no other tools required.

Benefits:

The eccentric clamp modules can be used on conventional aluminum profile systems or on T-slot tables as stops, fasteners or clamps for components and workpieces.

Eccentric clamp module Style A

Drawings



| Order No. | style | D | H | H1 | H2 | H3 | L | suitable for slot width | Clamping force F (kN) | Hand force FH N |
|-----------------------|-------|----|------|----|----|----|------|-------------------------|-----------------------|-----------------|
| K0754.00200808 | A | 20 | 73,5 | 36 | 8 | 28 | 52,3 | 8 | 2,5 | 100 |