

## Indexing plungers ECO, short version, style C

Item description/product images



### Description

#### Material:

Steel version:

Indexing pin not hardened.

Threaded body 1.0718.

Indexing pin 1.4305 (AISI 303 equivalent).

Stainless steel version:

Indexing pin not hardened.

Threaded body and indexing pin 1.4305 (AISI 303 equivalent).

Mushroom knob black gray thermoplastic.

#### Version:

Steel version:

Indexing pin hardened.

Threaded body trivalent blue passivated.

Indexing pin bright.

Stainless steel version:

Indexing pin not hardened.

Steel parts bright.

#### Note:

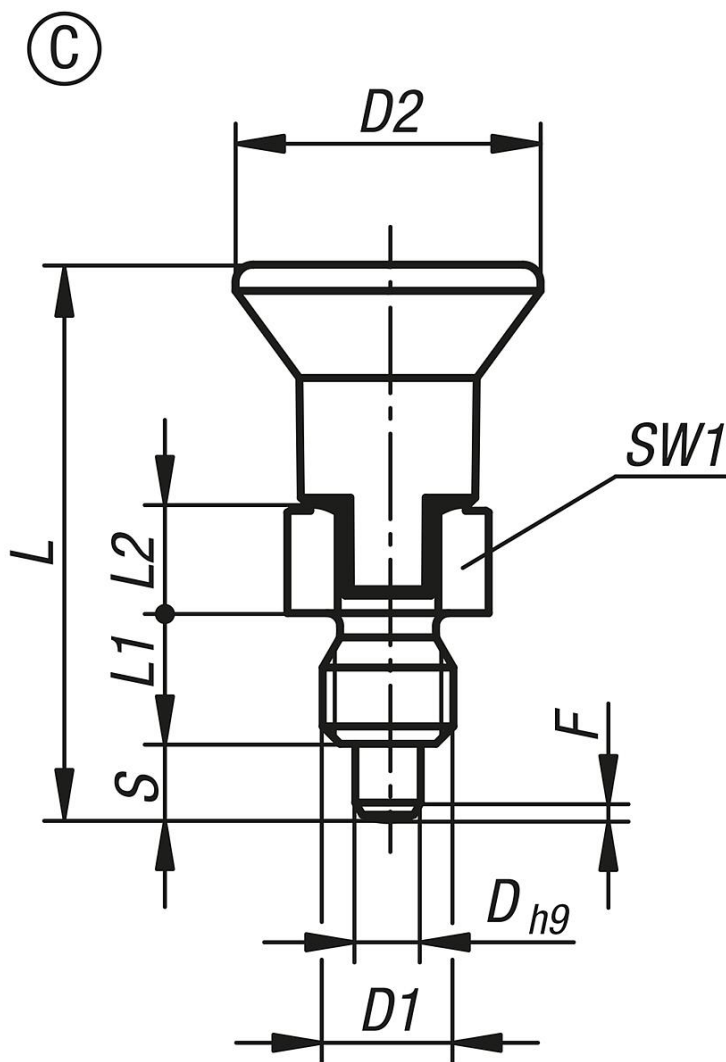
Indexing plungers are used to prevent changes to the locking position due to lateral forces. Another locking position can be set only after the plunger has been manually released. Indexing plungers with regular thread and unpolished and unhardened indexing pins are a cost-effective alternative to existing indexing plungers. But their degree of precision is still sufficient for many applications. The smaller production tolerances also make these products less sensitive to the alignment errors that can occur when aligning indexing plungers with the hole in the counter piece. Pay attention to the max. tightening torque when assembling.

#### On request:

Special versions.

Indexing plungers ECO, short version, style C

Drawings



Order No.	style	Main material	D	D1	D2	L	L1	L2	Travel S	SW1	Fx30°	Spring force initial pressure F1 approx. N	Spring force final pressure F2 approx. N	Tightening torque max. Nm
K0748.03903060	C	steel	3	M6	14	25,5	6	5	3,5	8	0,8	3,5	8	2
K0748.03004080	C	steel	4	M8	18	29,5	6	6	4	10	1	3,5	9	2
K0748.03105100	C	steel	5	M10	21	34,5	8	7	5	13	1,3	6	12	7
K0748.03206120	C	steel	6	M12	25	41,7	10	8	6	14	1,8	6	12	15
K0748.03308160	C	steel	8	M16	33	54	12	10	8	19	2,3	6	13	20
K0748.13903060	C	stainless steel	3	M6	14	25,5	6	5	3,5	8	0,8	3,5	8	2
K0748.13004080	C	stainless steel	4	M8	18	29,5	6	6	4	10	1	3,5	9	2
K0748.13105100	C	stainless steel	5	M10	21	34,5	8	7	5	13	1,3	6	12	7
K0748.13206120	C	stainless steel	6	M12	25	41,7	10	8	6	14	1,8	6	12	15
K0748.13308160	C	stainless steel	8	M16	33	54	12	10	8	19	2,3	6	13	20