

Indexing plungers without collar, style M

Item description/product images



Description

Material:

Steel version:

Indexing pin hardened:

body 1.0403 weldable.

Indexing pin grade 5.8.

Stainless steel version:

Indexing pin hardened:

body 1.4301 (AISI 304 equivalent) weldable.

Indexing pin 1.4034 (AISI 420 equivalent).

Indexing pin not hardened:

body 1.4301 (AISI 304 equivalent) weldable.

Indexing pin 1.4305 (AISI 303 equivalent).

Mushroom knob black gray thermoplastic.

Version:

Steel version:

Indexing pin hardened, ground, black oxidized.

Stainless steel version:

Indexing pin hardened, ground and bright.

Indexing pin not hardened, ground and bright.

Note:

Indexing plungers are used to prevent any change in locking position due to lateral forces. A new locking position can only be set after the pin has been manually disengaged.

style M is recommended for applications in where the indexing plungers should remain disengaged over extended periods and the pin prevented from springing back.

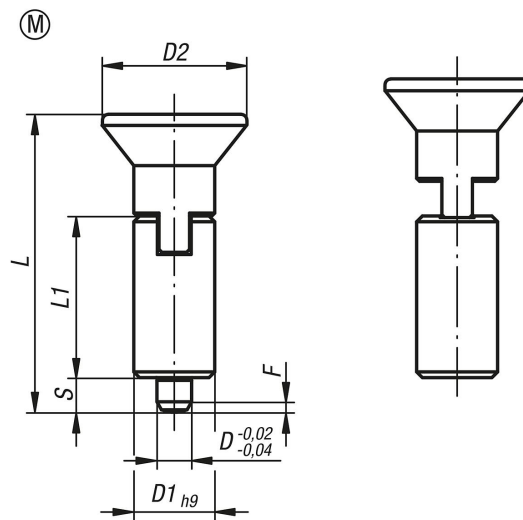
If the indexing plunger is welded on, the sleeve should be tack welded so that the spring is not thermally damaged due to high temperatures.

On request:

Special versions.

Indexing plungers without collar, style M

Drawings



Order No.	style	Main material	Surface finish body	D	D1	D2	L	L1	Travel S	Fx30°	Spring force initial pressure F1 approx. N	Spring force final pressure F2 approx. N
K0346.2004	M	steel	hardened	4	10	18	38,5	21	4	1	6	12
K0346.2105	M	steel	hardened	5	12	21	43,5	24	5	1,3	5	12
K0346.2206	M	steel	hardened	6	14	25	51,7	28	6	1,8	6	14
K0346.2308	M	steel	hardened	8	18	33	68	36	8	2,3	15	35
K0346.2410	M	steel	hardened	10	22	33	74	40	10	2,8	15	34
K0346.02004	M	stainless steel	hardened	4	10	18	38,5	21	4	1	6	12
K0346.02105	M	stainless steel	hardened	5	12	21	43,5	24	5	1,3	5	12
K0346.02206	M	stainless steel	hardened	6	14	25	51,7	28	6	1,8	6	14
K0346.02308	M	stainless steel	hardened	8	18	33	68	36	8	2,3	15	35
K0346.02410	M	stainless steel	hardened	10	22	33	74	40	10	2,8	15	34
K0346.12004	M	stainless steel	not hardened	4	10	18	38,5	21	4	1	6	12
K0346.12105	M	stainless steel	not hardened	5	12	21	43,5	24	5	1,3	5	12
K0346.12206	M	stainless steel	not hardened	6	14	25	51,7	28	6	1,8	6	14
K0346.12308	M	stainless steel	not hardened	8	18	33	68	36	8	2,3	15	35
K0346.12410	M	stainless steel	not hardened	10	22	33	74	40	10	2,8	15	34