

Pull handles, style A

Item description/product images



Description

Material:

Round steel

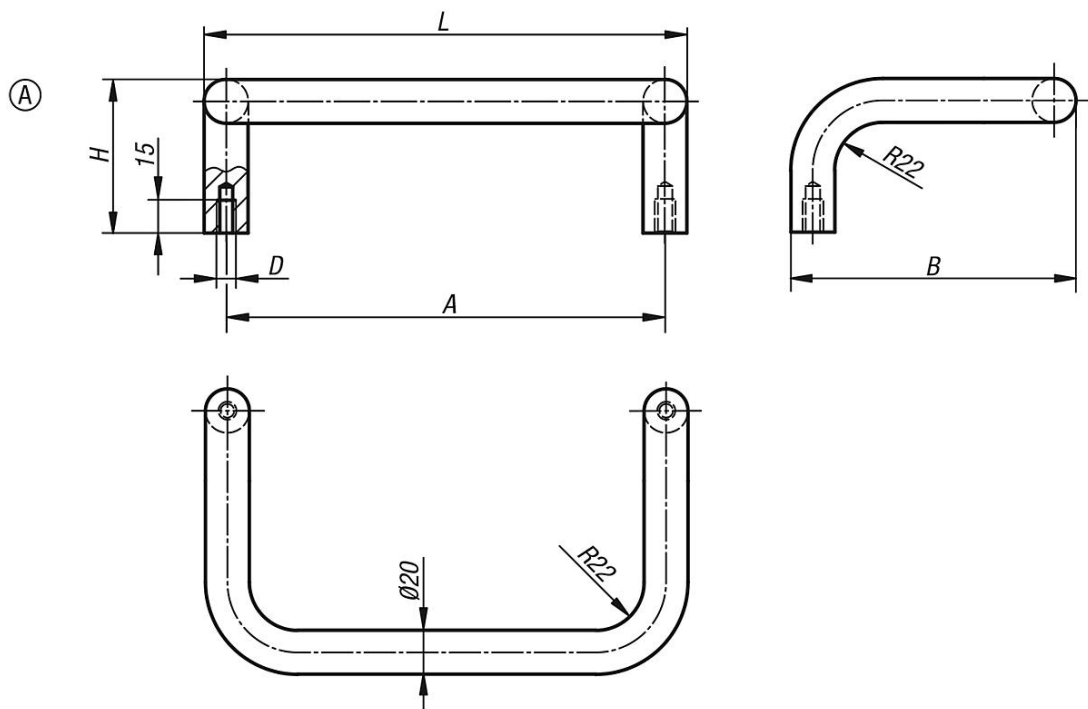
Version:

Ground, brushed and matt-chromed or black powder-coated with fine texture

Note:

Available as straight or right-angled handle.

Drawings



Machine handles

Item No.	style	Main color	A	B	D	H	L	Load capacity N
K0230.200081	A	matte chromed	200	130	M8	70	220	1000
K0230.350081	A	matte chromed	350	130	M8	70	370	1000
K0230.200082	A	black powdercoated	200	130	M8	70	220	1000
K0230.350082	A	black powdercoated	350	130	M8	70	370	1000