

# Dipstick style B, with vent hole

## Item description/product images



### Description

**Material:**

Grip thermoplastic polyamide.  
 Dipstick steel.  
 O-ring NBR, Shore 70.

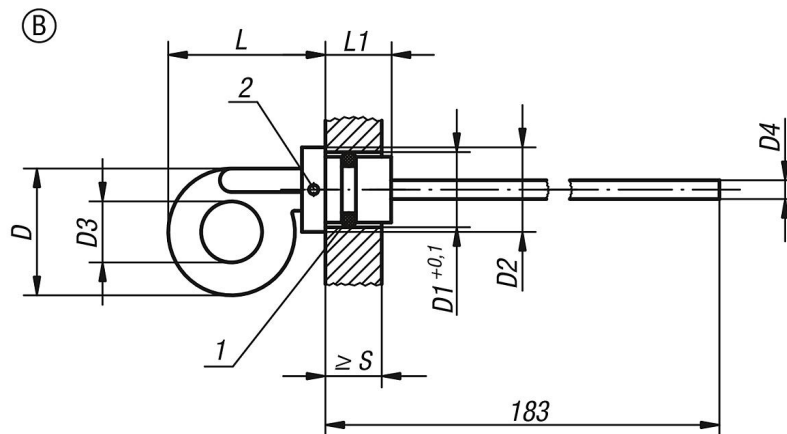
**Version:**

Black handle.  
 Dipstick, phosphated.

**Drawing reference:**

- 1) O-ring
- 2) vent hole

## Drawings



Item No.	style	D	D1	D2	D3	D4 Ø	L	L1	S min.
K0468.22714	B	27	14	18	13	4	34	13	10
K0468.23218	B	32	18	24	14	5	45	17	9
K0468.23220	B	32	20	24	14	5	44,5	18	10