

# Lateral spring plungers with threaded body, without thrust pin, style A, without seal

Item description/product images

METRIC  
Parts



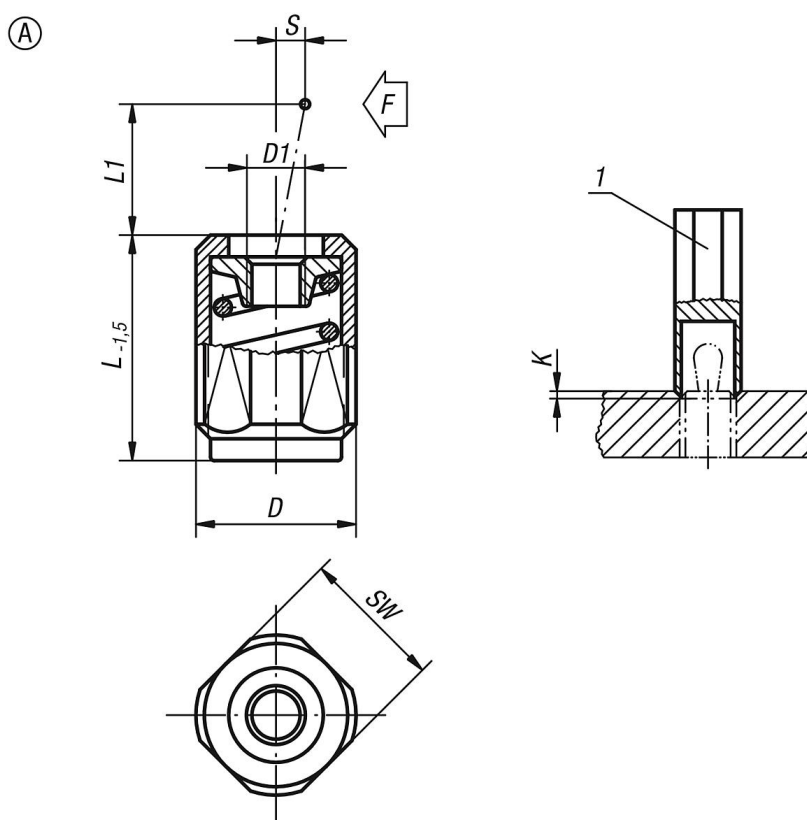
## Description

**Material:**  
Steel.

**Version:**  
body blue electro zinc-plated.  
Washer, hardened and burnished.

**Note:**  
Depending on the circumstances, the pressure pin can be fabricated by the customer and screwed into the threaded hole of the receiving washer. Utilizing stroke (S) and the corresponding length (L), lateral pressure (F) can be achieved. In addition, style B is equipped with a seal to prevent chips and dirt from entering.

## Drawings



## Lateral spring plungers with threaded body, without thrust pin, style A, without seal

Order No.	style	D	D1	K	L	L1	±S	SW	F ca.N	Item No. installation tool
K0372.1020X12	A	M12	M4	2x60°	11,5	4	1,6	10	20	K0371.06
K0372.1020X20	A	M12	M4	2x60°	19	4	1,6	10	20	K0371.06
K0372.1020X27	A	M12	M4	2x60°	26,5	4	1,6	10	20	K0371.06
K0372.1040X12	A	M12	M4	2x60°	11,5	7,5	2	10	40	K0371.06

## Lateral spring plungers with threaded body, without thrust pin, style A, without seal

Order No.	style	D	D1	K	L	L1	±S	SW	F ca.N	Item No. installation tool
K0372.1040X20	A	M12	M4	2x60°	19	7,5	2	10	40	K0371.06
K0372.1040X27	A	M12	M4	2x60°	26,5	7,5	2	10	40	K0371.06
K0372.1050X12	A	M12	M4	2x60°	11,5	4	1,6	10	50	K0371.06
K0372.1050X20	A	M12	M4	2x60°	19	4	1,6	10	50	K0371.06
K0372.1050X27	A	M12	M4	2x60°	26,5	4	1,6	10	50	K0371.06
K0372.1075X12	A	M12	M4	2x60°	11,5	7,5	2	10	75	K0371.06
K0372.1075X20	A	M12	M4	2x60°	19	7,5	2	10	75	K0371.06
K0372.1075X27	A	M12	M4	2x60°	26,5	7,5	2	10	75	K0371.06
K0372.1100X12	A	M12	M4	2x60°	11,5	4	1,6	10	100	K0371.06
K0372.1100X20	A	M12	M4	2x60°	19	4	1,6	10	100	K0371.06
K0372.1100X27	A	M12	M4	2x60°	26,5	4	1,6	10	100	K0371.06
K0372.1150X12	A	M12	M4	2x60°	11,5	7,5	2	10	100	K0371.06
K0372.1150X20	A	M12	M4	2x60°	19	7,5	2	10	100	K0371.06
K0372.1150X27	A	M12	M4	2x60°	26,5	7,5	2	10	100	K0371.06
K0372.1100X16	A	M18X1,5	M6	2,5x60°	18	11,5	3,2	16	100	K0371.10
K0372.1100X29	A	M18X1,5	M6	2,5x60°	31,5	11,5	3,2	16	100	K0371.10
K0372.1100X43	A	M18X1,5	M6	2,5x60°	45	11,5	3,2	16	100	K0371.10
K0372.1200X16	A	M18X1,5	M6	2,5x60°	18	11,5	3,2	16	150	K0371.10
K0372.1200X29	A	M18X1,5	M6	2,5x60°	31,5	11,5	3,2	16	150	K0371.10
K0372.1200X43	A	M18X1,5	M6	2,5x60°	45	11,5	3,2	16	150	K0371.10
K0372.1300X16	A	M18X1,5	M6	2,5x60°	18	11,5	3,2	16	200	K0371.10
K0372.1300X29	A	M18X1,5	M6	2,5x60°	31,5	11,5	3,2	16	200	K0371.10
K0372.1300X43	A	M18X1,5	M6	2,5x60°	45	11,5	3,2	16	200	K0371.10