

## Palm grips, similar to DIN 6335, style K with tapped bushing

### Item description/product images



### Description

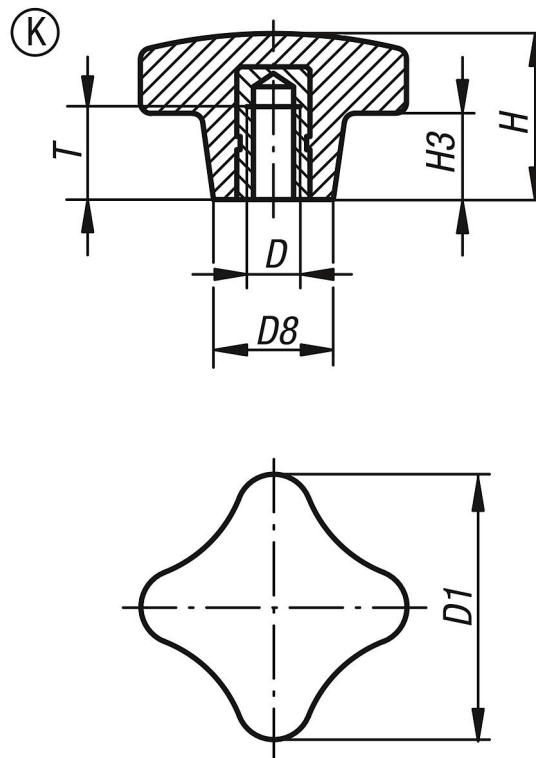
#### Material:

Black thermoset PF 31.  
bushing electro zinc-plated steel.

#### Version:

High-gloss polished.

### Drawings



Item No.	style	D	D1	D8	H	H3	T
K0148.205	K	M5	25	12	16	8	9,5
K0148.206	K	M6	32	14	20	10	12
K0148.208	K	M8	40	18	25	13	14
K0148.210	K	M10	50	22	32	20	18
K0148.212	K	M12	63	26	40	25	22
K0148.216	K	M16	80	35	50	30	30