

Star grips similar to DIN 6336 metal parts stainless steel style K with tapped bushing

Item description/product images



Description

Material:

Thermoset PF 31, black.
bushing or threaded pin stainless steel 1.4301 (AISI 304 equivalent).

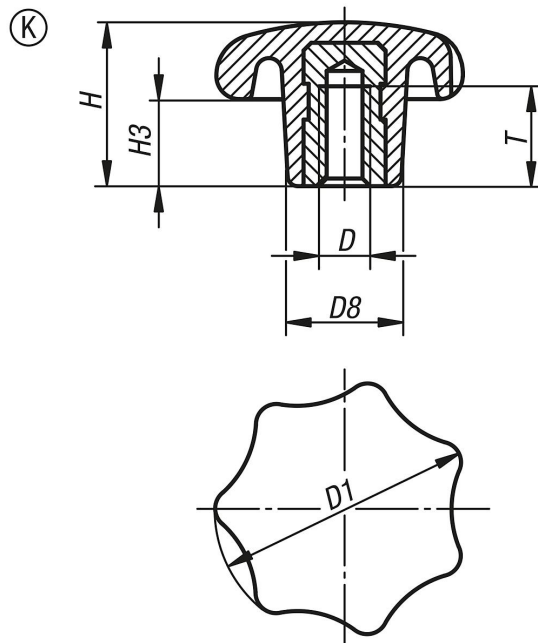
Version:

High-gloss polished.

On request:

Other colors.

Drawings



Order No.	style	D	D1	D8	H	H3	T
K1016.22505	K	M5	25	12	16	8	7,5
K1016.23206	K	M6	32	14	20	10	12
K1016.24008	K	M8	40	18	25	13	14
K1016.25010	K	M10	50	22	32	17	18
K1016.26312	K	M12	63	26	40	21	22
K1016.28016	K	M16	80	35	50	25	24