

Star grips similar to DIN 6336, metal parts stainless steel style L with external thread

Item description/product images



Description

Material:

Thermoset PF 31, black.
bushing or threaded pin stainless steel 1.4301 (AISI 304 equivalent).

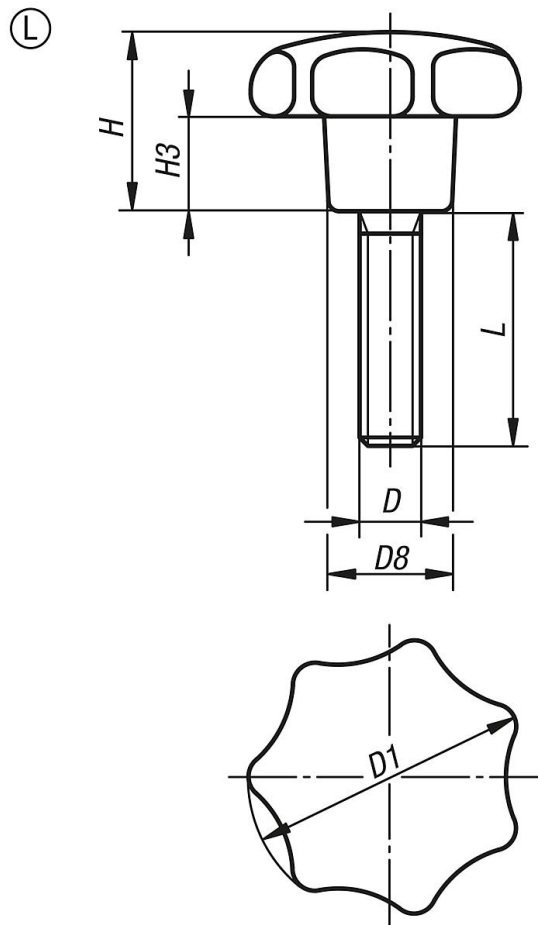
Version:

High-gloss polished.

On request:

Other colors.

Drawings



Item No.	Style	D	D1	D8	H	H3	L
K1016.42505X15	L	M5	25	12	16	8	15
K1016.42505X20	L	M5	25	12	16	8	20
K1016.42505X25	L	M5	25	12	16	8	25
K1016.43206X15	L	M6	32	14	20	10	15
K1016.43206X20	L	M6	32	14	20	10	20
K1016.43206X25	L	M6	32	14	20	10	25
K1016.43206X30	L	M6	32	14	20	10	30
K1016.43206X40	L	M6	32	14	20	10	40

Star grips similar to DIN 6336, metal parts stainless steel style L with external thread

Item No.	Style	D	D1	D8	H	H3	L
K1016.44008X20	L	M8	40	18	25	13	20
K1016.44008X25	L	M8	40	18	25	13	25
K1016.44008X30	L	M8	40	18	25	13	30
K1016.44008X40	L	M8	40	18	25	13	40
K1016.44008X50	L	M8	40	18	25	13	50
K1016.45010X25	L	M10	50	22	32	17	25
K1016.45010X30	L	M10	50	22	32	17	30
K1016.45010X40	L	M10	50	22	32	17	40
K1016.45010X50	L	M10	50	22	32	17	50
K1016.46312X30	L	M12	63	26	40	21	30
K1016.46312X40	L	M12	63	26	40	21	40
K1016.46312X50	L	M12	63	26	40	21	50
K1016.46312X60	L	M12	63	26	40	21	60
K1016.48016X30	L	M16	80	35	50	25	30
K1016.48016X40	L	M16	80	35	50	25	40
K1016.48016X50	L	M16	80	35	50	25	50
K1016.48016X60	L	M16	80	35	50	25	60