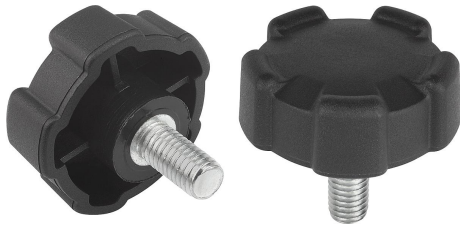


Five lobe grips with external thread

Item description/product images

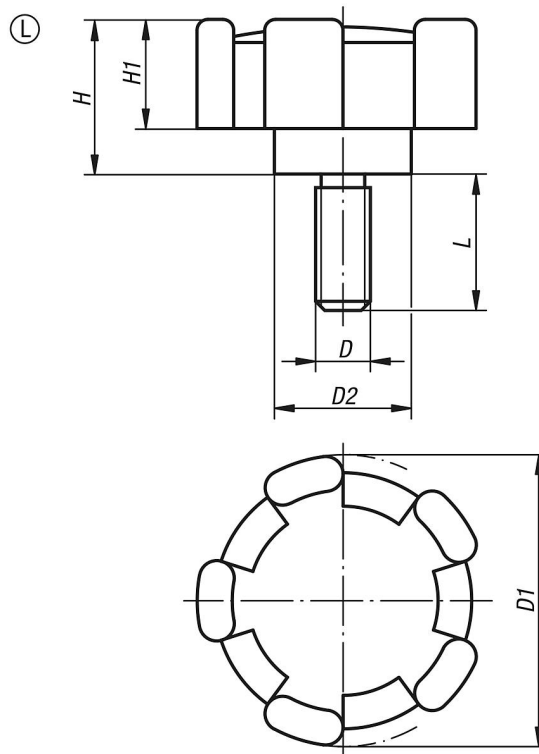


Description

Material:
Black gray thermoplastic.
Threaded pin steel 5.8.

Version:
Steel trivalent blue passivated.

Drawings



Five lobe grips with external thread

Item No.	style	D	D1	D2	H	H1	L
K0276.320615	L	M6	32	15	17	12	15
K0276.400816	L	M8	40	18	20,5	14,5	16
K0276.501020	L	M10	50	20	25	18	20