

Five lobe grips with internal thread

Item description/product images



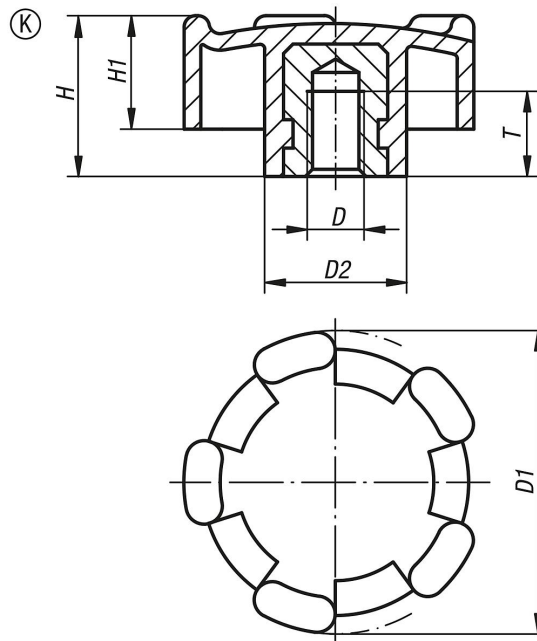
Description

Material:

Thermoplastic, black gray.

Bushing electro zinc-plated steel.

Drawings



Five lobe grips with internal thread

Item No.	style	D	D1	D2	H	H1	T
K0276.3206	K	M6	32	15	17	12	9
K0276.4008	K	M8	40	18	20,5	14,5	11
K0276.5010	K	M10	50	20	25	18	14