

## Wing grips with internal thread

### Item description/product images



### Description

**Material:**

Grip: polyamide, glass bead reinforced.  
bushing: brass or steel.

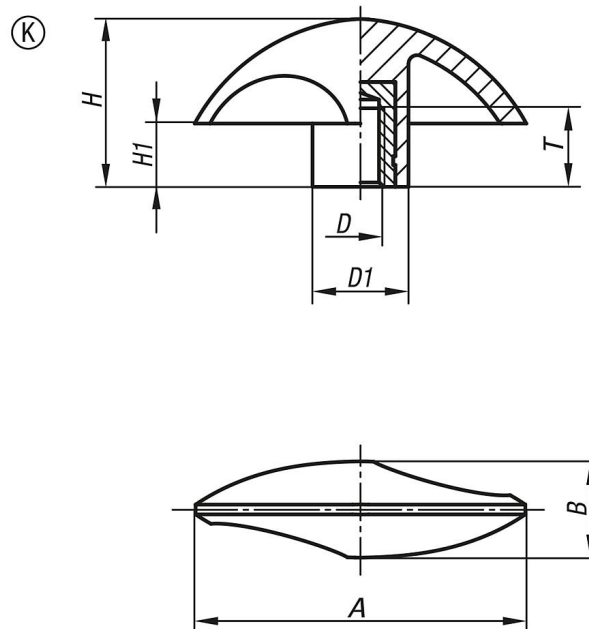
**Version:**

Steel electro zinc-plated.

**Note:**

Temperature resistance from -50 °C to 130 °C.  
Resistant to common chemicals and oils.

### Drawings



Order No.	style	A	B	D	D1	H	H1	T
K0783.15006	K	51	15	M6	15	25,5	9,5	14
K0783.16008	K	61,5	18	M8	18	31	11,5	14
K0783.17510	K	76	22	M10	22	38,5	14,5	14