

## Pull handles, style B

Item description/product images

19"



### Description

**Material:**

Grip aluminum.

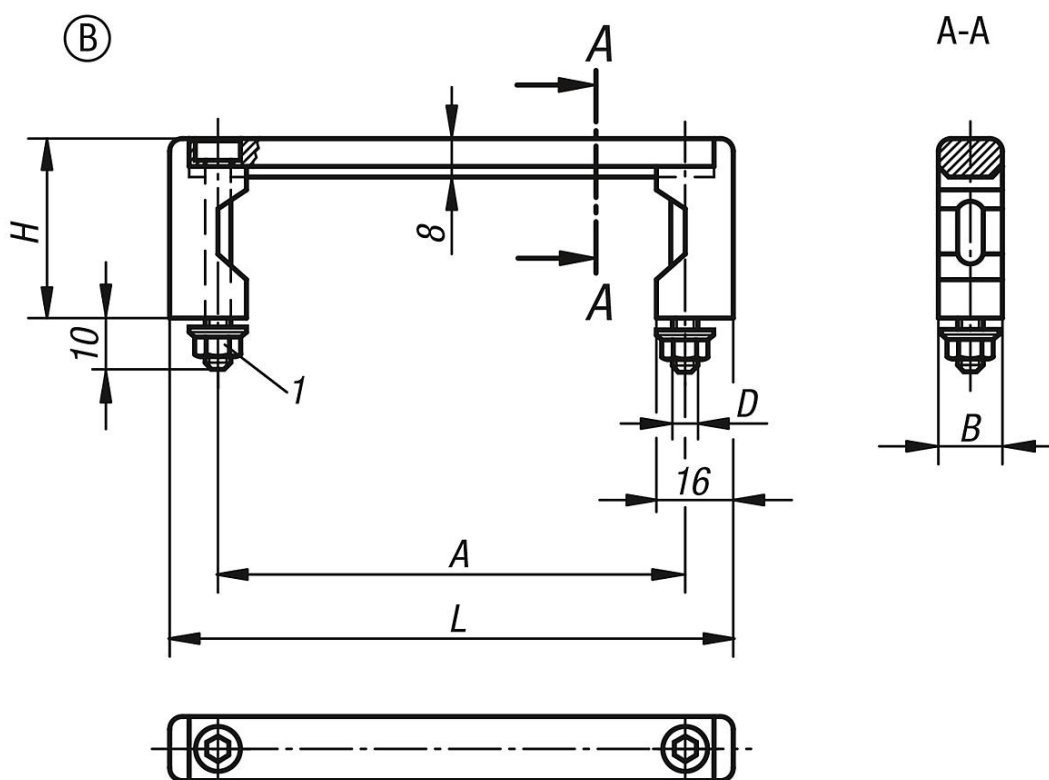
Legs glass-bead reinforced polyamide.

**Version:**

Grip matt-finished and natural tone or black anodized.

Legs fine structure semi-matt, black.

### Drawings



### All-purpose apparatus handles

Order No.	Style	Main color	A	B	D	H	L	Load capacity N
K0216.055101	B	black	55	12	M5	40	75	1000
K0216.088101	B	black	88	12	M5	40	108	1000
K0216.100101	B	black	100	12	M5	40	120	1000
K0216.120101	B	black	120	12	M5	40	140	1000

**Pull handles, style B**

Order No.	Style	Main color	A	B	D	H	L	Load capacity N
<b>K0216.180101</b>	B	black	180	12	M5	40	200	1000
<b>K0216.235101</b>	B	black	235	12	M5	40	255	1000
<b>K0216.055103</b>	B	natural	55	12	M5	40	75	1000
<b>K0216.088103</b>	B	natural	88	12	M5	40	108	1000
<b>K0216.100103</b>	B	natural	100	12	M5	40	120	1000
<b>K0216.120103</b>	B	natural	120	12	M5	40	140	1000
<b>K0216.180103</b>	B	natural	180	12	M5	40	200	1000
<b>K0216.235103</b>	B	natural	235	12	M5	40	255	1000