

Ledge handles, style A

Item description/product images



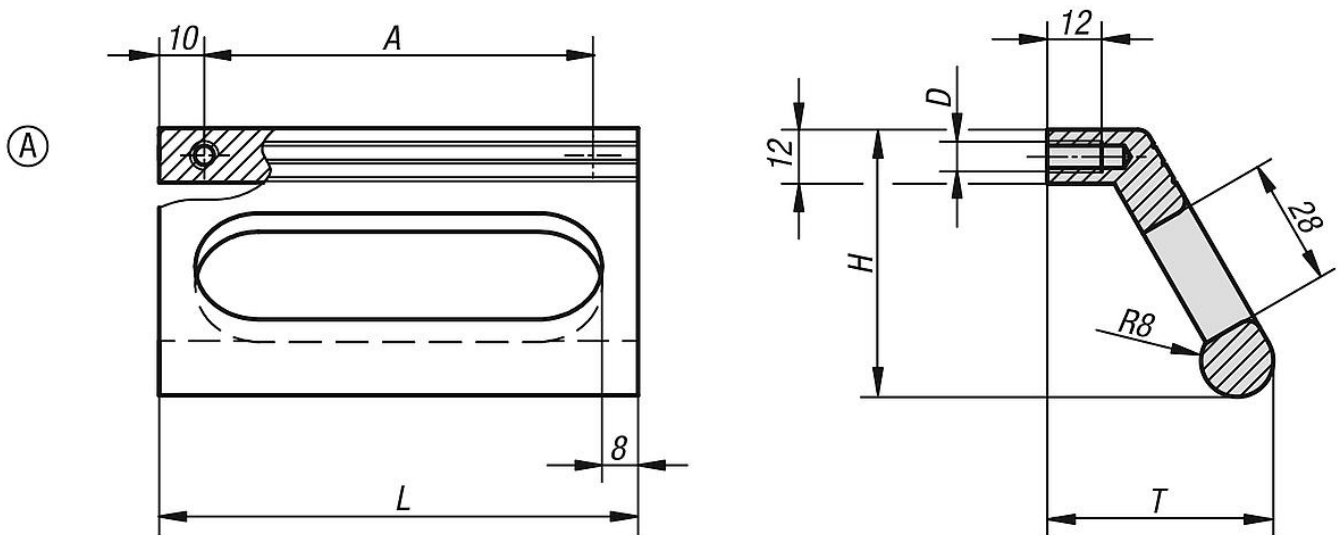
Description

Material:
Profile aluminum EN AW-6060

Version:
Matt-gloss anodized.

Note:
These ledge handles are available with M6 internal thread or with through hole for M5 countersunk screws for front mounting.

Drawings



Angled Profile Handles

| Item No. | style | Main color | A | D | H | L | T | Load capacity N |
|--------------|-------|------------------|-----|----|----|-----|----|-----------------|
| K0234.086061 | A | black anodized | 86 | M6 | 59 | 106 | 50 | 500 |
| K0234.100061 | A | black anodized | 100 | M6 | 59 | 120 | 50 | 500 |
| K0234.120061 | A | black anodized | 120 | M6 | 59 | 140 | 50 | 500 |
| K0234.086063 | A | natural anodized | 86 | M6 | 59 | 106 | 50 | 500 |
| K0234.100063 | A | natural anodized | 100 | M6 | 59 | 120 | 50 | 500 |
| K0234.120063 | A | natural anodized | 120 | M6 | 59 | 140 | 50 | 500 |