

# Ledge handles, style B

## Item description/product images



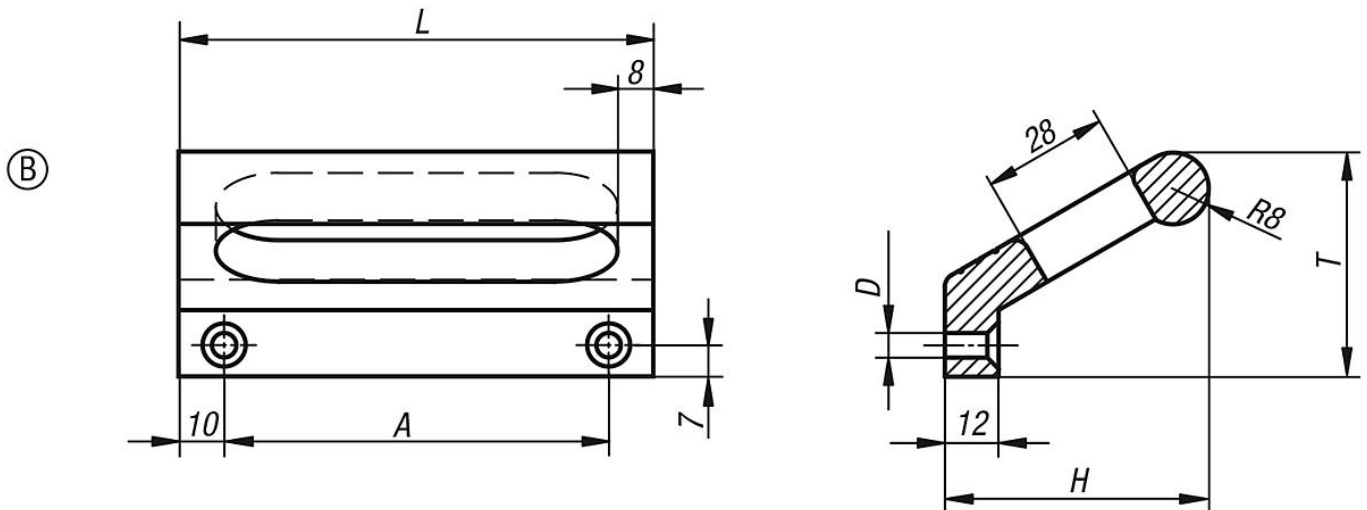
### Description

**Material:**  
Profile aluminum EN AW-6060

**Version:**  
Matt-gloss anodized.

**Note:**  
These ledge handles are available with M6 internal thread or with through hole for M5 countersunk screws for front mounting.

## Drawings



## Angled Profile Handles

Item No.	style	Main color	A	D	H	L	T	Load capacity N
K0234.086051	B	black anodized	86	5,5	59	106	50	500
K0234.100051	B	black anodized	100	5,5	59	120	50	500
K0234.120051	B	black anodized	120	5,5	59	140	50	500
K0234.086053	B	natural anodized	86	5,5	59	106	50	500
K0234.100053	B	natural anodized	100	5,5	59	120	50	500
K0234.120053	B	natural anodized	120	5,5	59	140	50	500