

Recessed handles fold-down, style A

Item description/product images

19"



Description

Material:

Tray and folding handle in aluminum profile, end caps polyamide; style A: mounting by rubber insert

Version:

Tray and grip glass-bead blasted, satin finish and anodized black or natural color. Rubber profile black. Fastening screws electro zinc-plated.

Note:

Profile Folding Handles style A can be fitted without screw mounting with 2 soft plastic profiles with sheet strengths of 1-2.5 mm.

Two cross-slots for M4 screws allow earth/ground connection and can serve as a mounting aid for additional add-on parts.

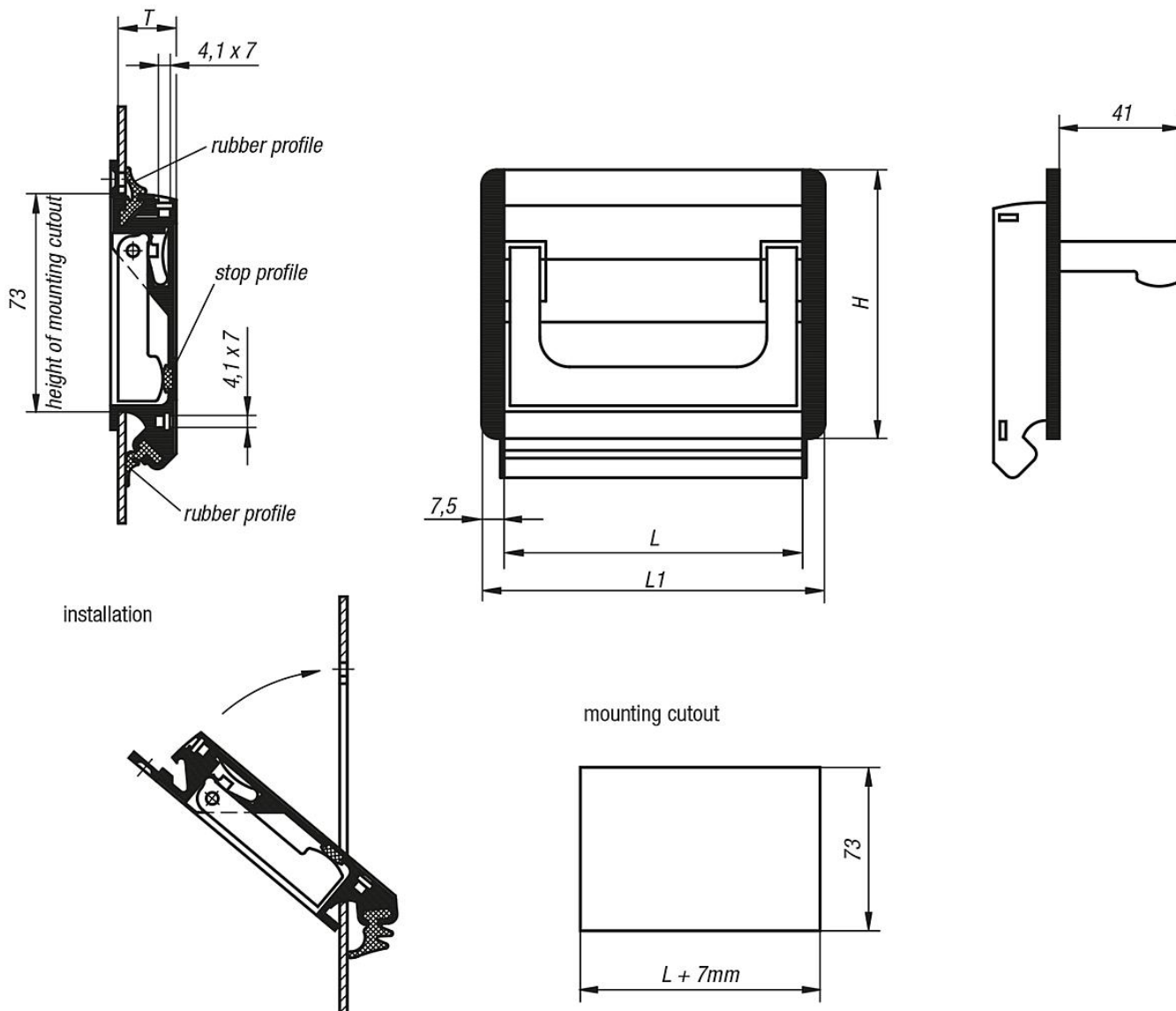
Assembly:

After fitting the lower rubber profile, press the two side caps onto the handle. Next press the handle over the lower edge of the mounting cutout at a 45° angle and then push it up against the housing panel.

Now push the 2nd rubber profile into the upper groove or fix in place with 2 countersunk screws.

Recessed handles fold-down, style A

Drawings



Profile Folding Handles

Order No.	Main color	style	Version 2	H	L	L1	T	Mounting cutout	Load capacity N
K0239.10011	black	A	plug-in	90	100	115	19,5	107 x 73	500
K0239.11811	black	A	plug-in	90	118	133	19,5	125 x 73	500
K0239.16711	black	A	plug-in	90	167	182	19,5	174 x 73	500
K0239.10013	natural	A	plug-in	90	100	115	19,5	107 x 73	500
K0239.11813	natural	A	plug-in	90	118	133	19,5	125 x 73	500
K0239.16713	natural	A	plug-in	90	167	182	19,5	174 x 73	500

