

Recessed handles fold-down, style B

Item description/product images

19"



Description

Material:

Tray and folding handle in aluminum profile, end caps polyamide;
style B: mounting by 2 countersunk screws, steel

Version:

Tray and grip glass-bead blasted, satin finish and anodized black or natural color.
Rubber profile black.
Fastening screws electro zinc-plated.

Note:

Profile Folding Handles style B can be mounted from outside with 2 countersunk screws.

Two cross-slots for M4 screws allow earth/ground connection and can serve as a mounting aid for additional add-on parts.

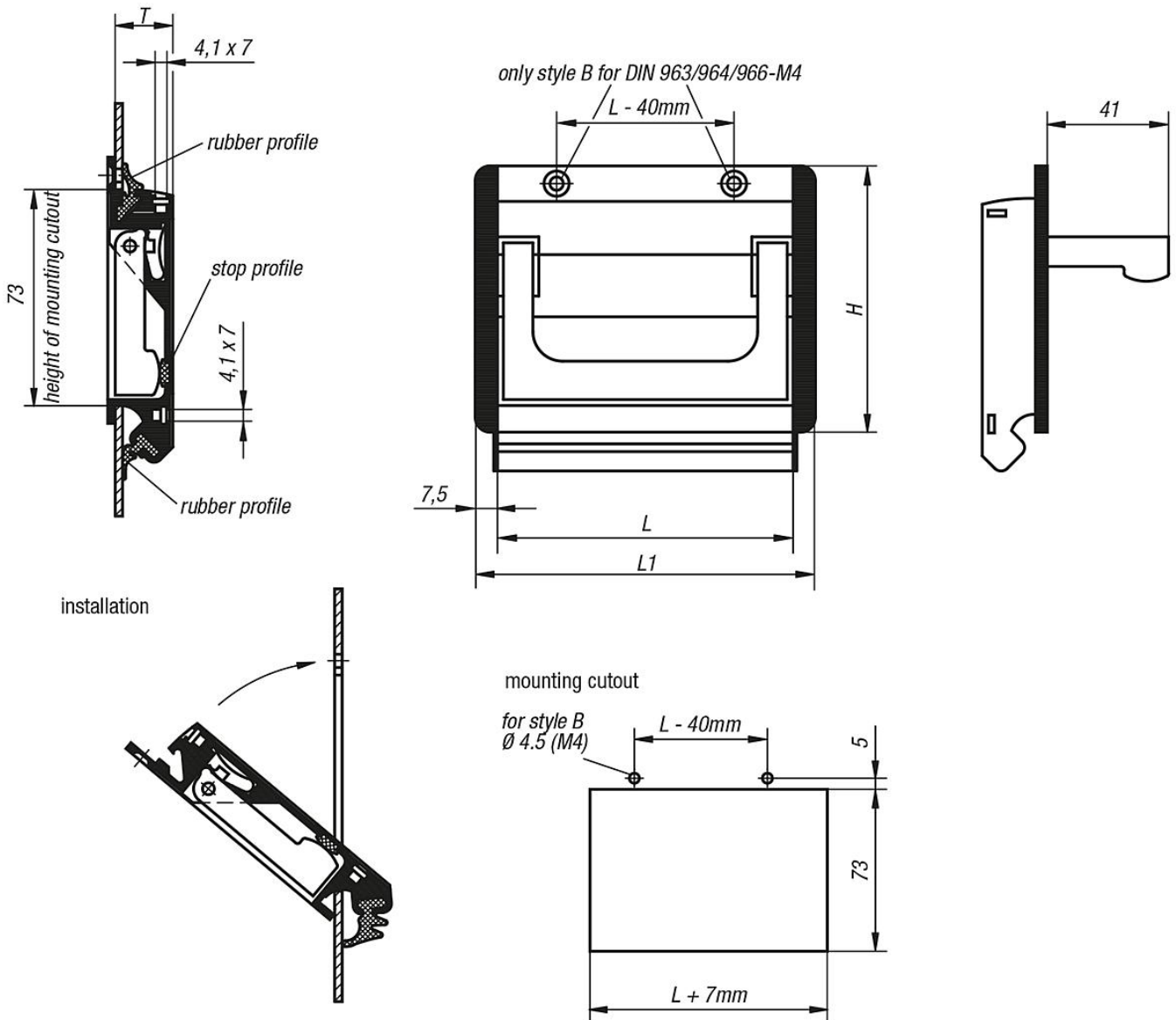
Assembly:

After fitting the lower rubber profile, press the two side caps onto the handle. Next press the handle over the lower edge of the mounting cutout at a 45° angle and then push it up against the housing panel.

Now push the 2nd rubber profile into the upper groove or fix in place with 2 countersunk screws.

Recessed handles fold-down, style B

Drawings



Profile Folding Handles

Order No.	Main color	style	Version 2	H	L	L1	T	Mounting cutout	Load capacity N
K0239.10021	black	B	screw on	90	100	115	19,5	107 x 73	500
K0239.11821	black	B	screw on	90	118	133	19,5	125 x 73	500
K0239.16721	black	B	screw on	90	167	182	19,5	174 x 73	500
K0239.10023	natural	B	screw on	90	100	115	19,5	107 x 73	500
K0239.11823	natural	B	screw on	90	118	133	19,5	125 x 73	500
K0239.16723	natural	B	screw on	90	167	182	19,5	174 x 73	500

