

## Tubular handles style B

### Item description/product images



### Description

#### Material:

Legs glass-bead reinforced thermoplastic.  
Grip stainless steel 1.4301 (AISI 304 equivalent).  
Inserts stainless steel 1.4305 (AISI 303 equivalent).

#### Version:

Legs fine structured, black.  
Grip fine ground.  
Inserts fine turned.

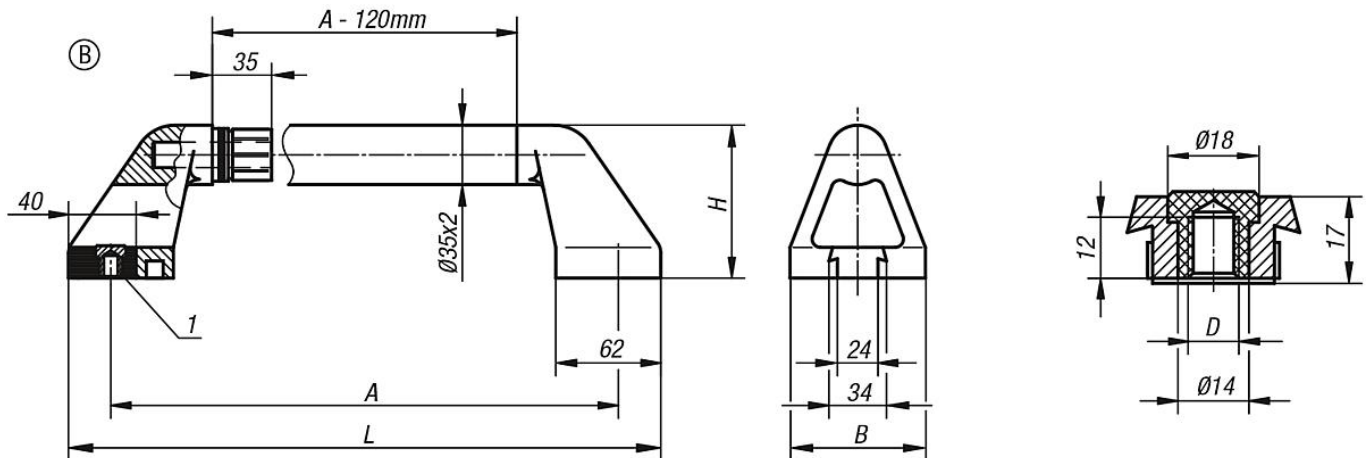
#### Note:

Locking webs allow a precision fit of the tube on the plastic leg boss.  
Splash-proof with O-ring seals.  
Different fastening inserts allow mounting from the front, rear or with each other.  
Handles with through hole inserts (style A) are supplied with stainless steel fasteners.  
Handles with tapped inserts (style B) are supplied without fasteners.

#### Drawing reference:

1) Screw head insert (A) or threaded insert (B).

### Drawings



### Tube Handles

Item No.	style	A	B	D	H	L	Load capacity N
K0226.300102	B	300	80	M10	90	350	1000
K0226.350102	B	350	80	M10	90	400	1000
K0226.400102	B	400	80	M10	90	450	1000
K0226.500102	B	500	80	M10	90	550	1000
K0226.600102	B	600	80	M10	90	650	1000

