

Pull handles, style B

Item description/product images



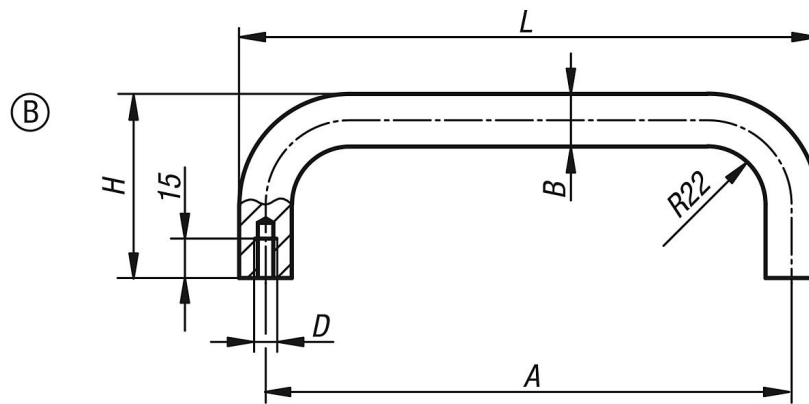
Description

Material:
Round steel

Version:
Ground, brushed and matt-chromed or black powder-coated with fine texture

Note:
Available as straight or right-angled handle.

Drawings



Machine handles

Item No.	style	Main color	A	B	D	H	L	Load capacity N
K0230.200083	B	matte chromed	200	20	M8	70	220	1000
K0230.250083	B	matte chromed	250	20	M8	70	270	1000
K0230.300083	B	matte chromed	300	20	M8	70	320	1000
K0230.350083	B	matte chromed	350	20	M8	70	370	1000
K0230.200084	B	black powdercoated	200	20	M8	70	220	1000
K0230.250084	B	black powdercoated	250	20	M8	70	270	1000
K0230.300084	B	black powdercoated	300	20	M8	70	320	1000
K0230.350084	B	black powdercoated	350	20	M8	70	370	1000