

Quarter-turn locks small version

Item description/product images



Description

Material:

Housing and actuator die-cast zinc.

Version:

Housing and actuator chrome-plated.

Wing-handle version powder-coated.

Note:

Small quarter turn lock with spring-loaded tongue. Right or left deployment. The lock can be installed pre-assembled. The fastening nut is an earthing nut with teeth one side.

Drawing reference:

Actuation:

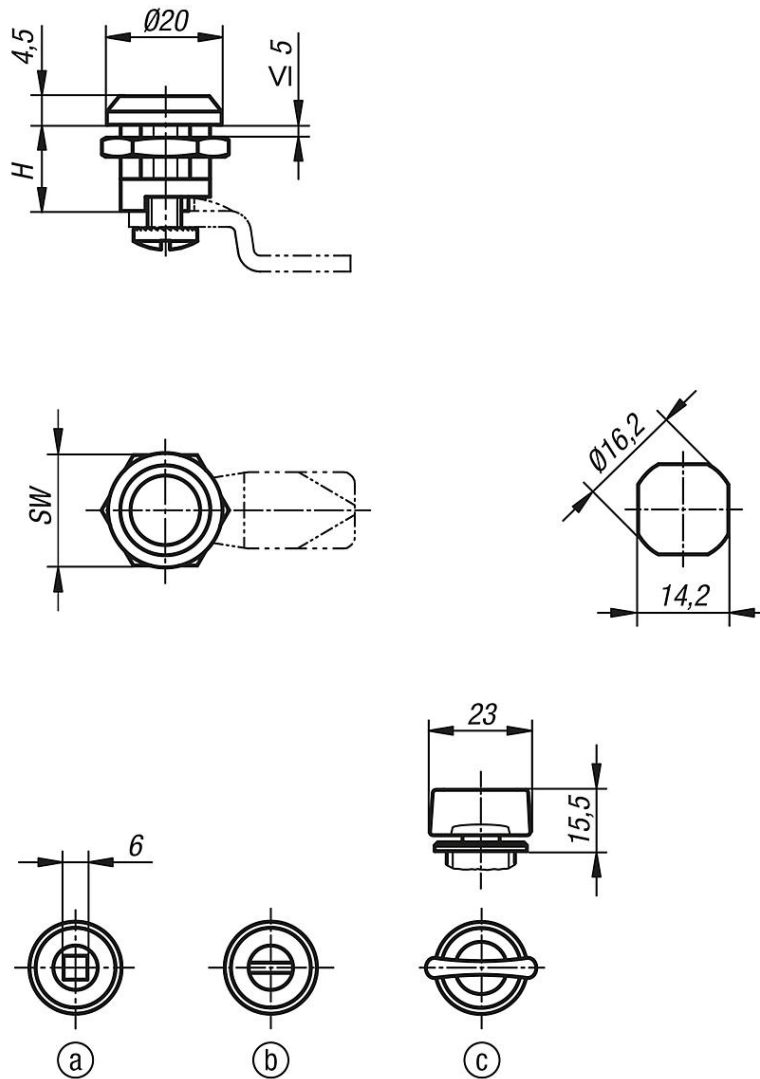
a) square 6 mm

b) slot

c) wing grip

Quarter-turn locks small version

Drawings



| Item No. | Actuation | H | SW |
|-------------|-------------|------|----|
| K0518.16131 | square 6 mm | 13,5 | 20 |
| K0518.20131 | slot | 13,5 | 20 |
| K0518.30132 | grip | 13,5 | 20 |